

A000079

Accessories • Optical sensors - Assembly

accessories optical, Mounting angle bracket, M2x0.4 20long, Mounting material for sensor, brackets, Steel

including Screw



Mechanical features

Width	15 mm
Diameter of screw-on mounting	3.2
Thread pitch	0.4 mm
Height	7.37 mm
Length	20 mm
Mounting method	Screw mounting
Surface	Galvanized
Material	Steel
Thread dimension	M2

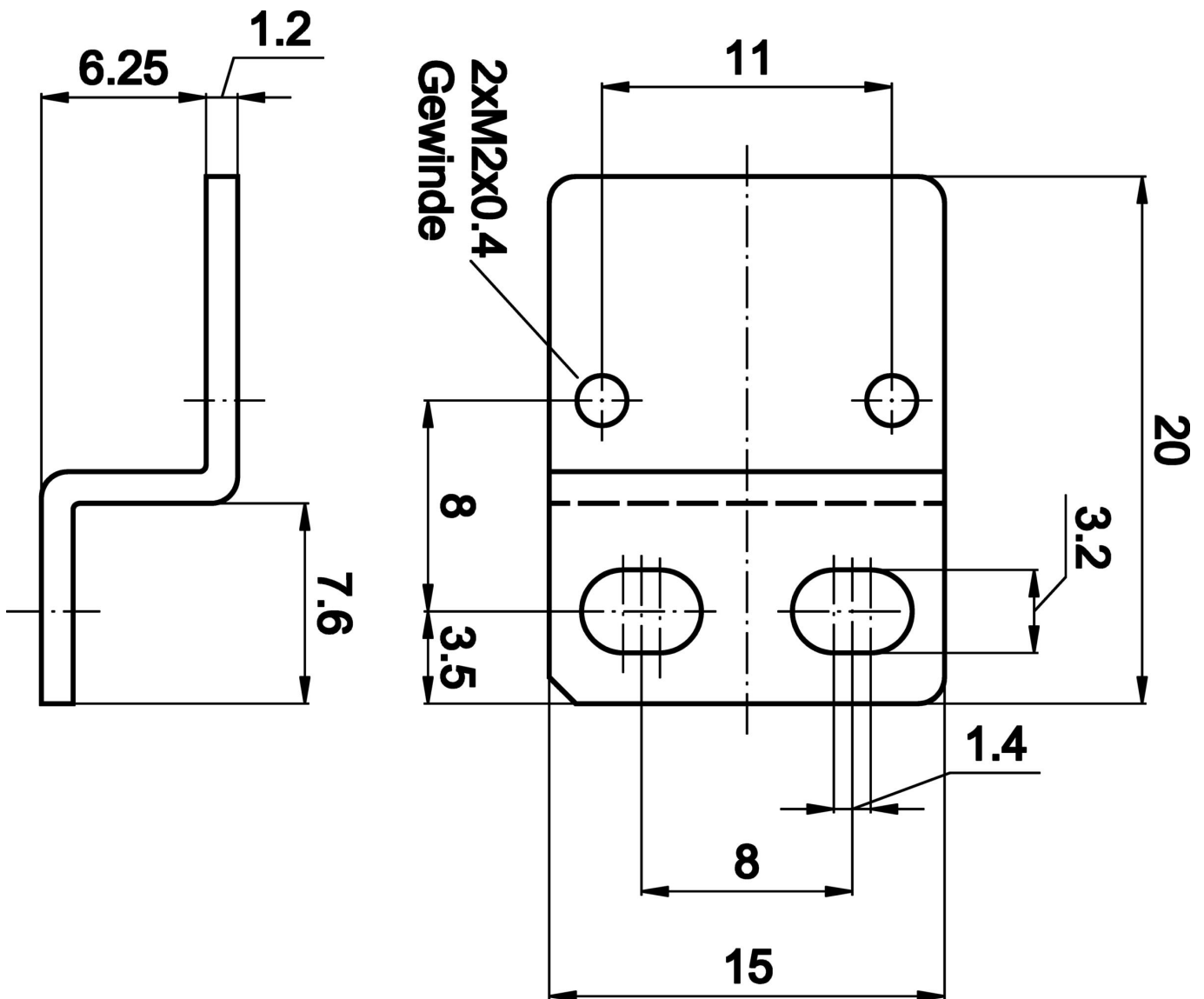
Classification

ETIM 8	EC002625 Mounting accessories (control cabinet)
--------	---

More

IPF Product Group	900 accessories
packaging dimensions	100 x 70 x 17 mm
gross weight	6 g
Customs tariff number	73269098
WEEE number	40951076
OzDS-compliant	Yes
POP-compliant	Yes
Reach-compliant	Yes
RoHS-compliant	Yes

Dimensional drawing



Installation

Mounting / installation may only be carried out by a qualified electrician!



Disposal

WEEE number according to § 6 para. 3
ElektroG: 40951076

Safety warnings

/ Before initial operation, please make sure to follow all safety instructions that may be provided in the product information.

/ Never use these devices in applications where the safety of a person depends on their functionality.