

AO000092

Accessories • Mounting

accessories optical, Fixture kit, Nickel-plated brass

including Nut, Screw



Mechanical features

Housing material	Nickel-plated brass
------------------	---------------------

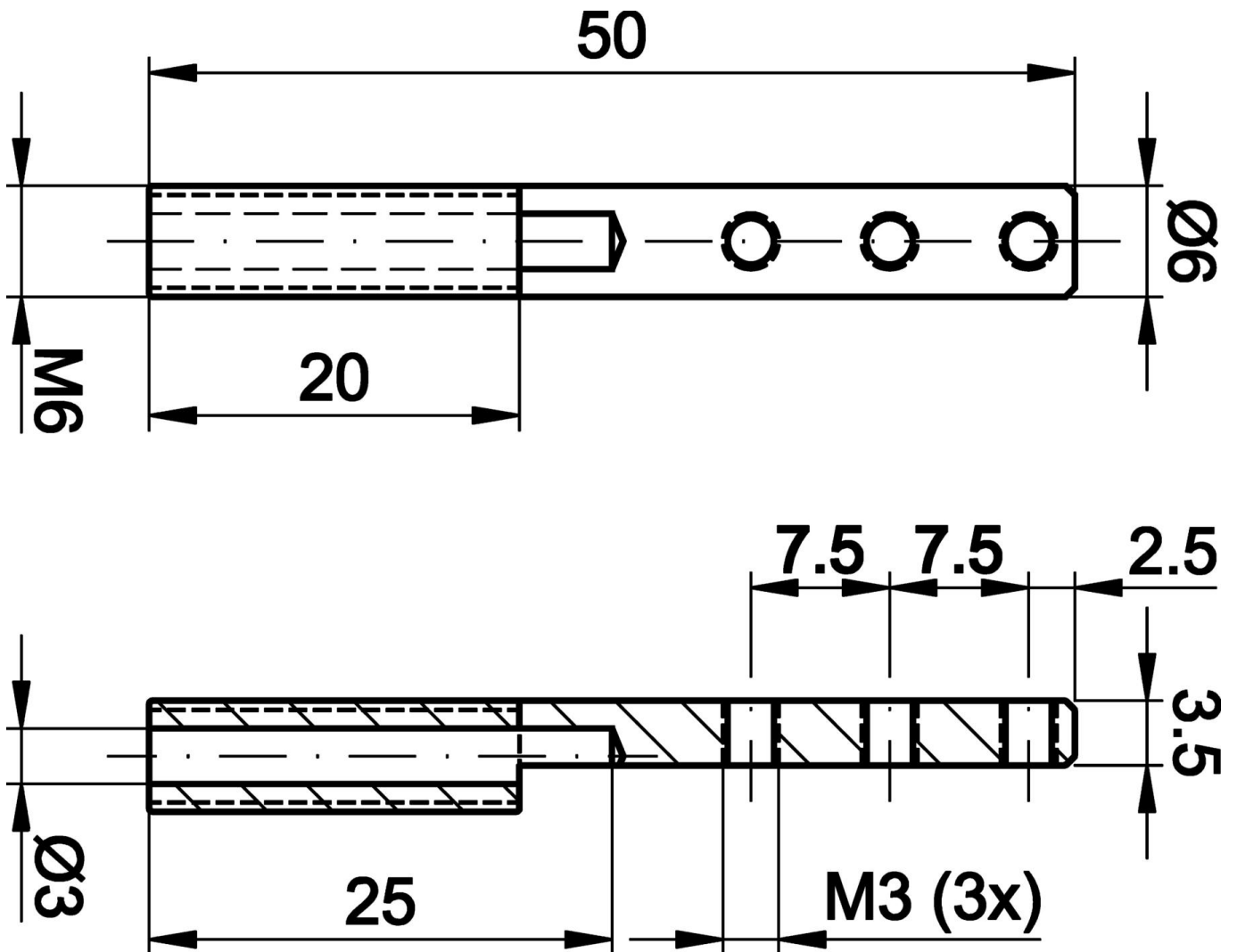
Classification

ETIM 8	EC002024 Accessories/spare parts for command devices
--------	--

More

IPF Product Group	900 accessories
packaging dimensions	150 x 100 x 5 mm
gross weight	10 g
Customs tariff number	74153300
WEEE number	40951076
OzDS-compliant	Yes
POP-compliant	Yes
Reach-compliant	Yes
RoHS-compliant	Yes

Dimensional drawing



Installation

Mounting / installation may only be carried out by a qualified electrician!



Disposal

WEEE number according to § 6 para. 3
ElektroG: 40951076

Safety warnings

- / Before initial operation, please make sure to follow all safety instructions that may be provided in the product information.
- / Never use these devices in applications where the safety of a person depends on their functionality.