

A0000154

Accessories • Mounting

accessories optical, Adapter, Aluminum



Mechanical features

| | |
|------------------|----------|
| Housing material | Aluminum |
|------------------|----------|

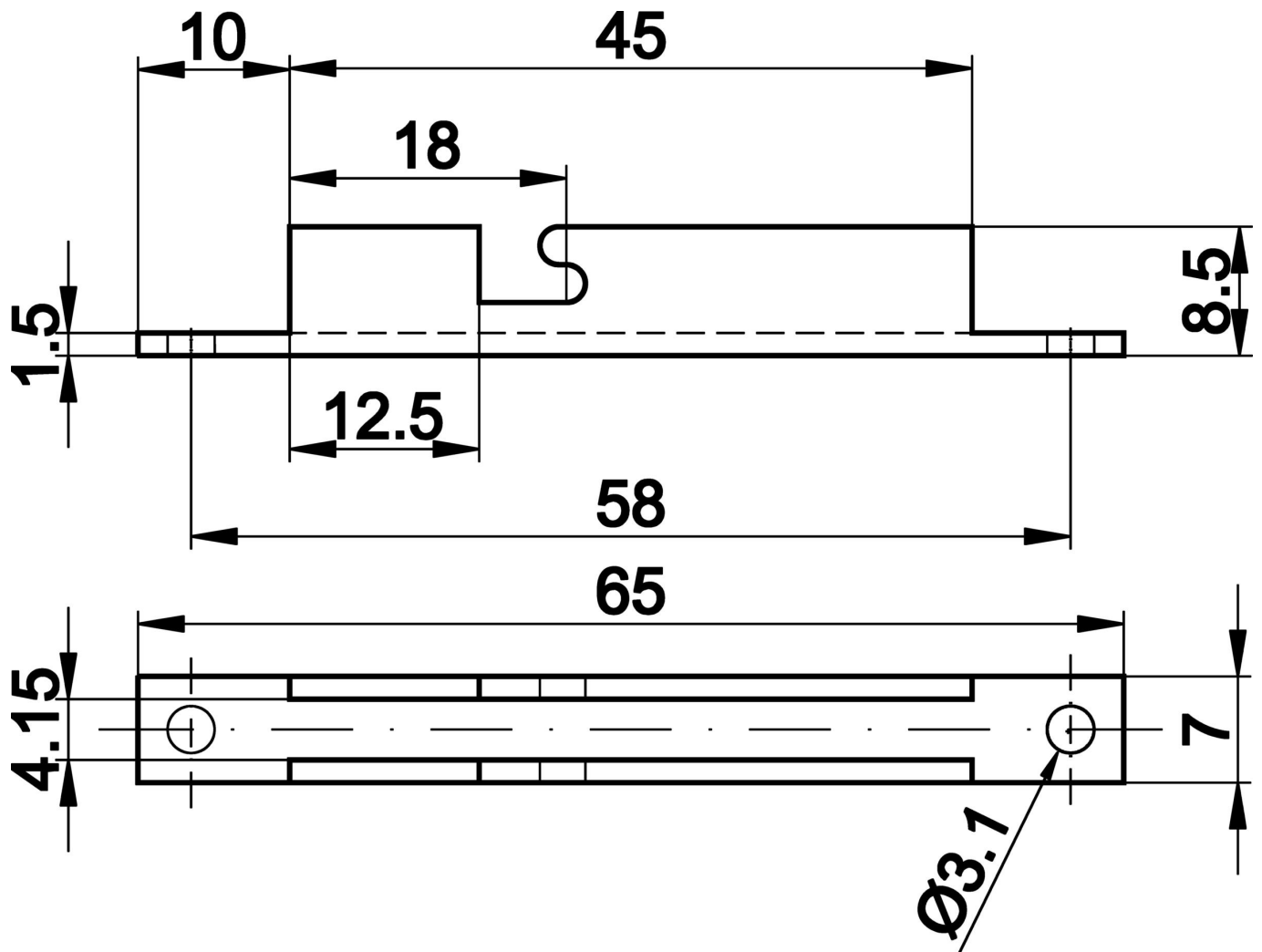
Classification

| | |
|--------|--|
| ETIM 8 | EC002024 Accessories/spare parts for command devices |
|--------|--|

More

| | |
|-----------------------|------------------|
| IPF Product Group | 900 accessories |
| packaging dimensions | 120 x 75 x 10 mm |
| gross weight | 6 g |
| Customs tariff number | 76169990 |
| WEEE number | 40951076 |
| OzDS-compliant | Yes |
| POP-compliant | Yes |
| Reach-compliant | Yes |
| RoHS-compliant | Yes |

Dimensional drawing



Installation

Mounting / installation may only be carried out by a qualified electrician!



Disposal

WEEE number according to § 6 para. 3
ElektroG: 40951076

Safety warnings

- / Before initial operation, please make sure to follow all safety instructions that may be provided in the product information.
- / Never use these devices in applications where the safety of a person depends on their functionality.