

# AO000163

## Accessories • Optical sensors - Assembly

accessories optical, Fixture kit, M6 75long, Metal

including Nut, Screw



### Mechanical features

Width	6 mm
Length	75 mm
Housing material	Metal
Thread dimension	M6

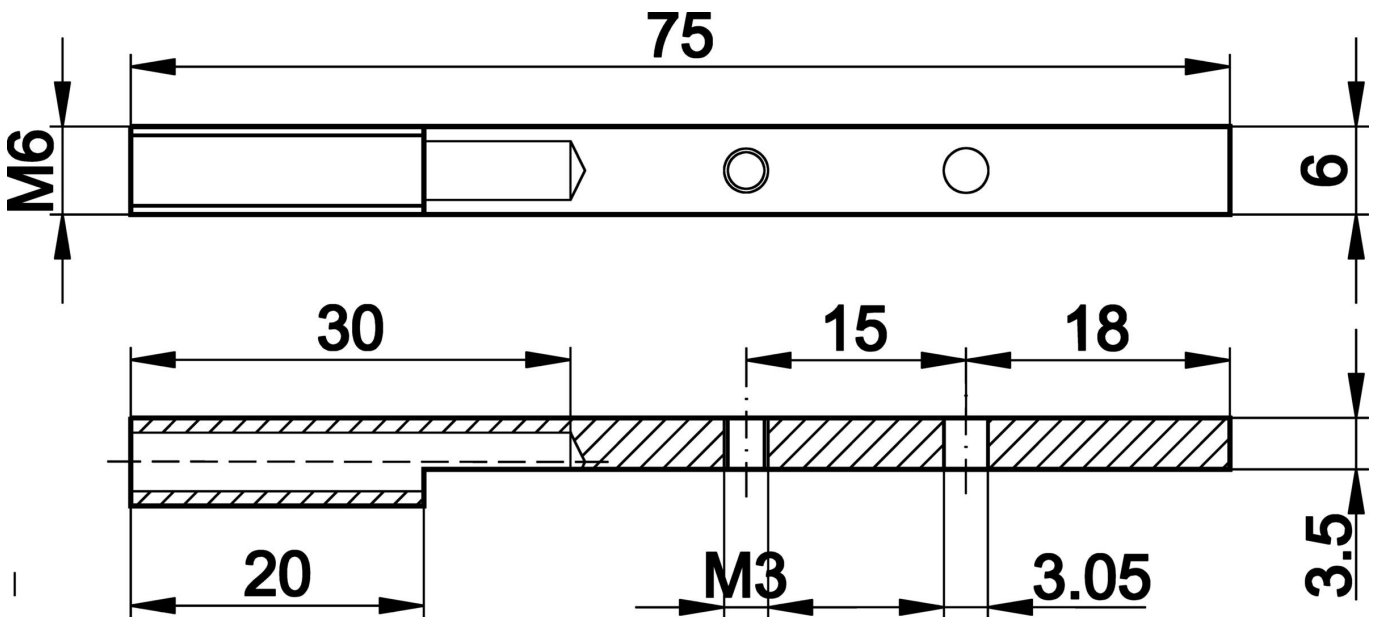
### Classification

ETIM 8	EC002024 Accessories/spare parts for command devices
--------	--

### More

IPF Product Group	900 accessories
packaging dimensions	175 x 100 x 4 mm
gross weight	15 g
Customs tariff number	73269098
WEEE number	40951076
OzDS-compliant	Yes
POP-compliant	Yes
Reach-compliant	Yes
RoHS-compliant	Yes

**Dimensional drawing**



**Installation**

Mounting / installation may only be carried out by a qualified electrician!



**Disposal**

WEEE number according to § 6 para. 3  
ElektroG: 40951076

**Safety warnings**

- / Before initial operation, please make sure to follow all safety instructions that may be provided in the product information.
- / Never use these devices in applications where the safety of a person depends on their functionality.