

AO000188

LED lights • Machine and bench lights

LED machine light, M18x1 59long, white light, 0.7W, 320lx, 5000K, 10-30V DC, M12-connector 4-pin, IP65, V2A+PMMA clear, brightness adjustable

including Nut



The lights can be used in confined installation situations. Various diameters (M8, M12 and M18) are available. The lights are fastened via the outside thread of the stainless steel housing using lock nuts. Various connection options (M8 or M12-connector or cable variants) with different beam angles and illuminances make it possible to create the right lighting conditions for any required application.

Electrical features

Type of electrical connection	Connector M12
Rated operating current	27 mA
Power	0.7 W
Number of pins	4
Protection class	III
Operating voltage (DC)	10 - 30 V
Adjustable brightness	Yes
ardSOCA_ElektrischerAnschluss	M12 4-pin plug connector
ardSOCA_Betriebsspannung	10-30VDC

Mechanical features

Design	Cylinder, screw-thread
Diameter	18 mm
Thread pitch	1 mm
Length	59 mm
Degree of protection (IP)	IP65
Front screen scattering behavior	clear
Housing material	Stainless steel (V2A)
Front screen material	Polymethyl methacrylate
Thread dimension	M18
Ambient temperature	-20 - 50 °C
ardSOCA_Abmessungen	M18x1, 59mm long

Optical features

Number of LEDs	3
Illuminance at 500mm distance	320 lx
Illumination in the center (distance 1 m)	80 lx
Color temperature	5000 K
Light source	White light
Angle of beam spread	22 °
Risk group	1

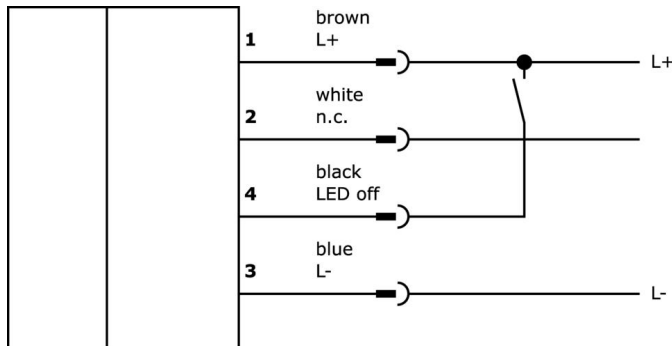
Classification

ETIM 8	EC000348 Machine and workbench light
--------	--------------------------------------

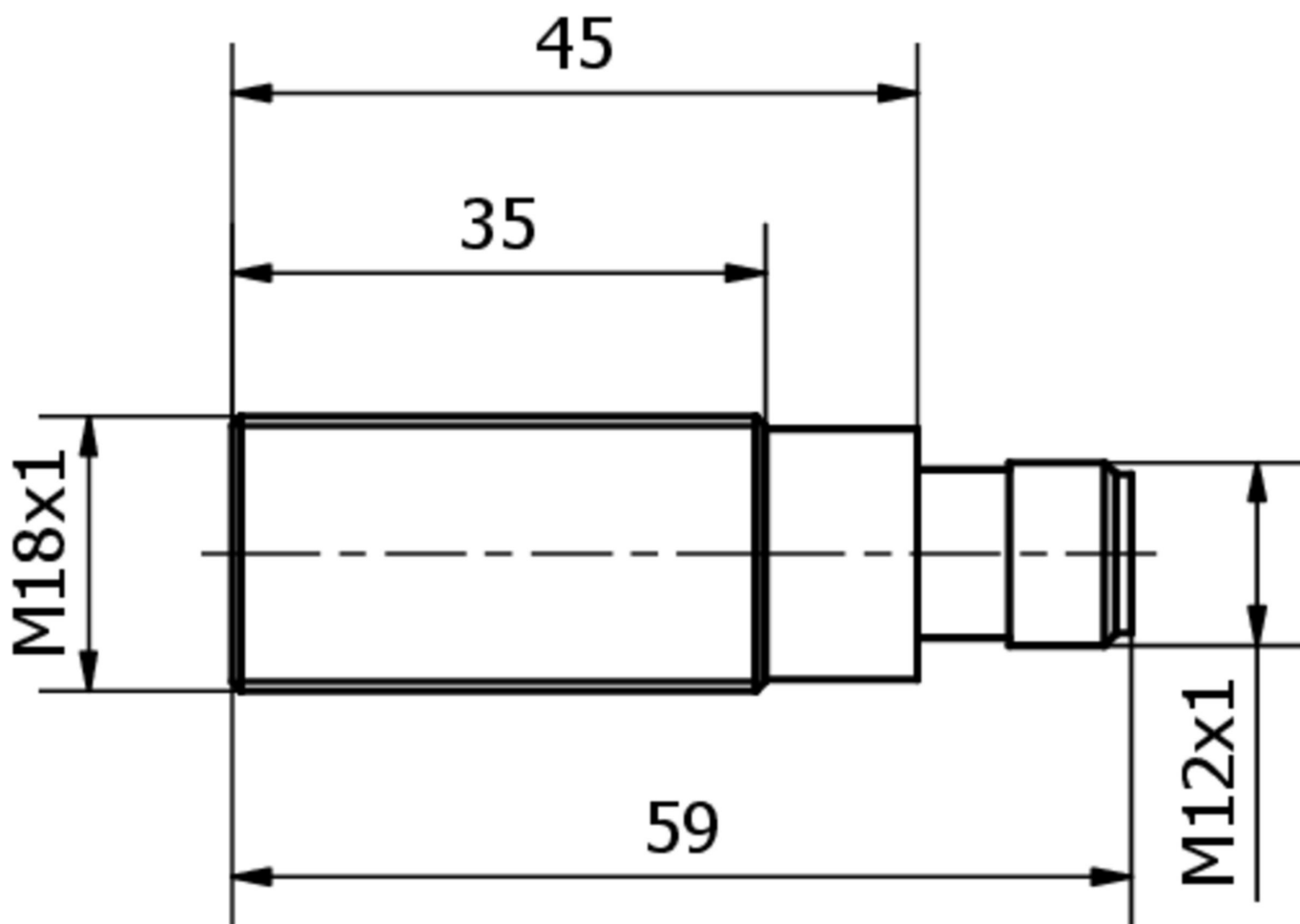
More

IPF Product Group	190 machine illuminations
packaging dimensions	123 x 77 x 25 mm
gross weight	60 g
Customs tariff number	94054239
WEEE number	40951076
Reach-compliant	Yes
RoHS-compliant	Yes

Connection



Dimensional drawing



Extract accessories program

VK000037



Adaption, M12 Female (socket) 3pin Straight, M8 Male (connector) 3pin Straight, 24V, -25-85°C, IP67, Oil and cooling lubricants, Welding area

VK003021



Cable socket, Angular, Suitable for self-assembly, Screw connection, Ø3-6.5mm, 4A, 60V, -25-90°C, M12 Female (socket) 5pin, IP67, PBT

VK003025



Cable socket, Straight, Suitable for self-assembly, Screw connection, Ø3-6.5mm, 4A, 60V, -25-90°C, M12 Female (socket) 5pin, IP67, PBT

VK003020



Cable socket, angular, self-assembly, screw connection, Ø3-6.5mm, 4A, 240V, -25-90°C, M12 socket 4-pin, IP67, PBT

VK003024



Cable socket, Straight, Suitable for self-assembly, Screw connection, Ø3-6.5mm, 4A, 240V, -25-90°C, M12 Female (socket) 4pin, IP67, PBT

VK030F60



Connection cable, 0.3m, M12 socket 3-pin angular, M8 connector 3-pin straight, 3x0.34mm², PUR (polyurethane), 60V, IP67, suitable for trailing chain and torsion resistant, oils and cooling lubricants, welding area, silicone-free

VK030F64



Connection cable, 0.3m, M12 socket 3-pin straight, M8 connector 3-pin straight, 3x0.34mm², PUR (polyurethane), 60V, IP67, suitable for trailing chain and torsion resistant, oils and cooling lubricants, welding area, silicone-free

VK200021



Connection cable, 2m, M12 Female (socket) 3pin Angular, Free conductor end, 3x0.34mm², PUR (Polyurethane), Ø4.3mm, 250V, -30-90°C, IP67, Suitable for trailing chain and torsion resistant, Oil and cooling lubricants, Welding area, Silicone-free

VK200025



Connection cable, 2m, M12 Female (socket) 3pin Straight, Free conductor end, 3x0.34mm², PUR (Polyurethane), Ø4.3mm, 250V, -30-90°C, IP67, Suitable for trailing chain and torsion resistant, Oil and cooling lubricants, Welding area, Silicone-free

You can find further accessories on our homepage



Installation

Mounting / installation may only be carried out by a qualified electrician!



Disposal

WEEE number according to § 6 para. 3 ElektroG: 40951076

Safety warnings

/ Before initial operation, please make sure to follow all safety instructions that may be provided in the product information.

/ Never use these devices in applications where the safety of a person depends on their functionality.

/ LED lighting systems can generate intensive UV radiation, which can damage your eyes in case of improper use. The manufacturer cannot be held responsible for damages that result from improper use or connection.