

A0000243

Accessories • Safety light curtains - Mounting

accessories optical, Mounting angle bracket, 35x24x30mm, Mounting material for sensor, brackets, Steel

including Screw



Mechanical features

Width	29.7 mm
Diameter of screw-on mounting	5.5
Height	35 mm
Length	24 mm
Mounting method	Screw mounting
Surface	Galvanized
Material	Steel

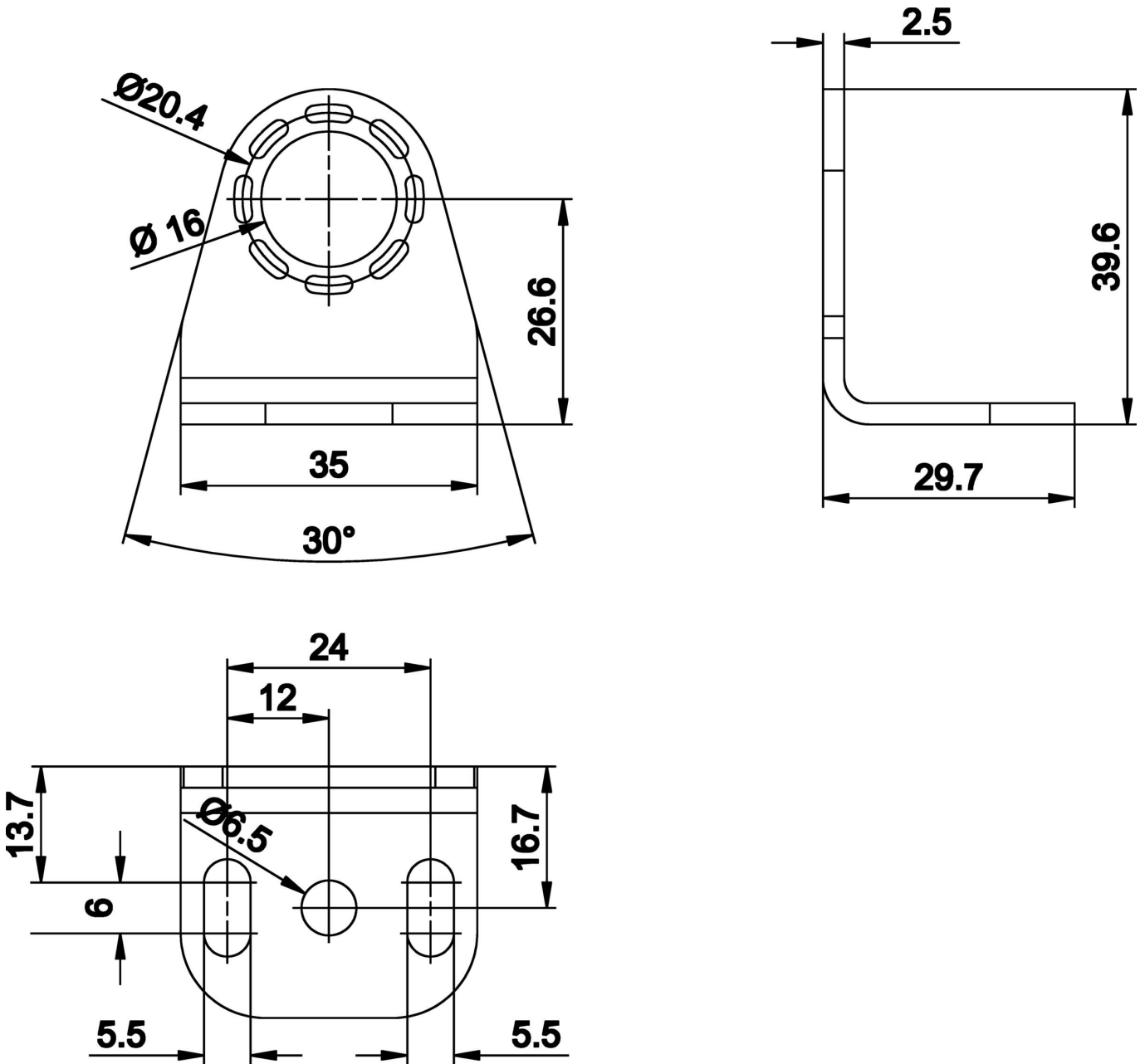
Classification

ETIM 8	EC002625 Mounting accessories (control cabinet)
--------	---

More

IPF Product Group	710 safety systems
packaging dimensions	83 x 83 x 38 mm
gross weight	141 g
Customs tariff number	73269098
WEEE number	40951076
Reach-compliant	Yes
RoHS-compliant	Yes

Dimensional drawing



Installation

Mounting / installation may only be carried out by a qualified electrician!



Disposal

WEEE number according to § 6 para. 3
ElektroG: 40951076

Safety warnings

/ Before initial operation, please make sure to follow all safety instructions that may be provided in the product information.

/ Never use these devices in applications where the safety of a person depends on their functionality.