

## A0000299

### Safety systems • Signal converters

Accessories Optical, safety relay, 90x118x22mm, 1x NC, 3x NO, dual channel, 24V DC, screw connection, plastic, safety



#### Electrical features

Number of outputs, signaling function, undelayed, with contact	1
Number of outputs, safety-related, undelayed, with contact	3
Number of normally open contacts	3
Number of normally closed contacts	1
Type of electrical connection	Clamped terminal connection
Evaluation of inputs	Dual channel
Rated switching current	4000 mA
No-load current	40 mA
Switching voltage	250 V
Voltage type for actuation	DC
Decay time	20 ms
Operating voltage (DC)	24 V
With start input	Yes
With forcibly guided contacts	Yes
With monitoring function of downstream devices	Yes

#### Mechanical features

Width	22.5 mm
Height	90 mm
Length	118 mm
Mounting method	Top hat rail
Housing material	Plastic
Ambient temperature	-15 - 55 °C

#### Other features

Category in acc. with EN 954-1	4
Performance level in acc. with EN ISO 13849-1	Level e
SIL in acc. with IEC 61508	3

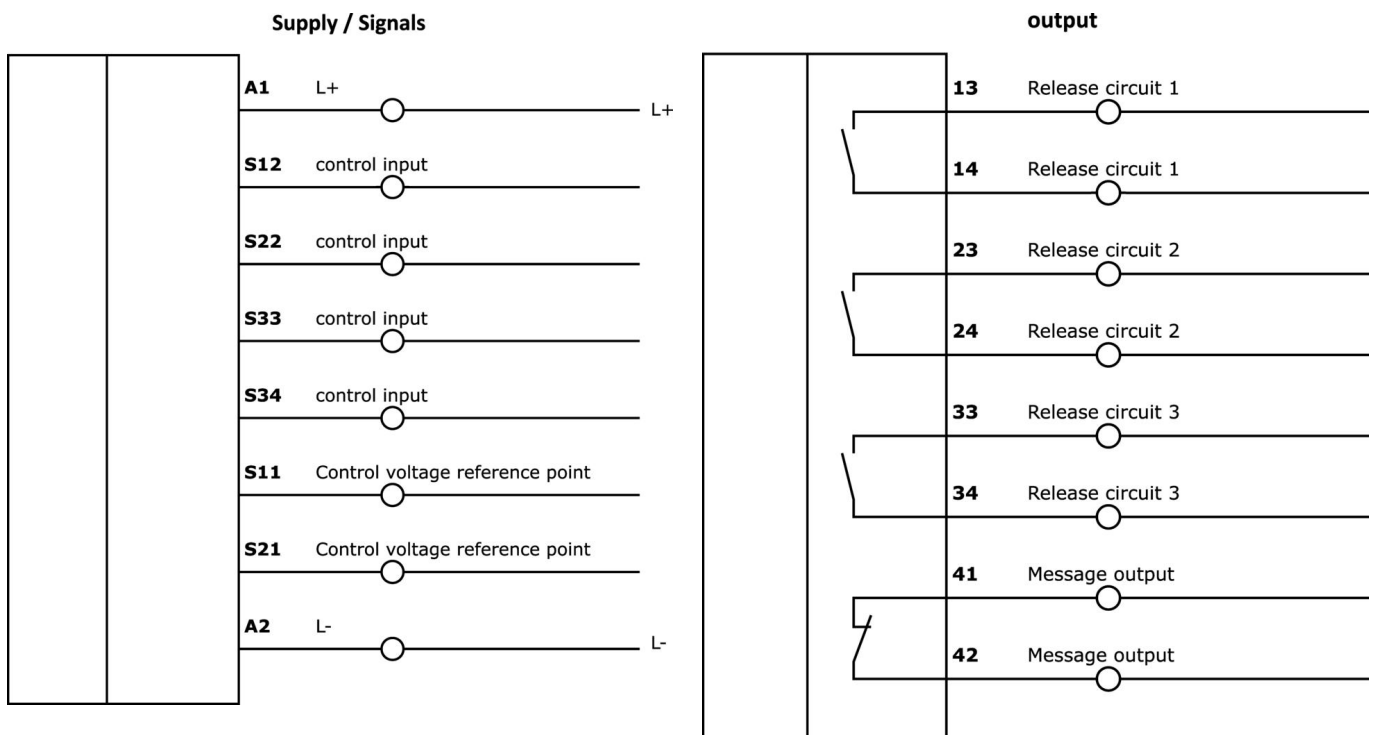
**Classification**

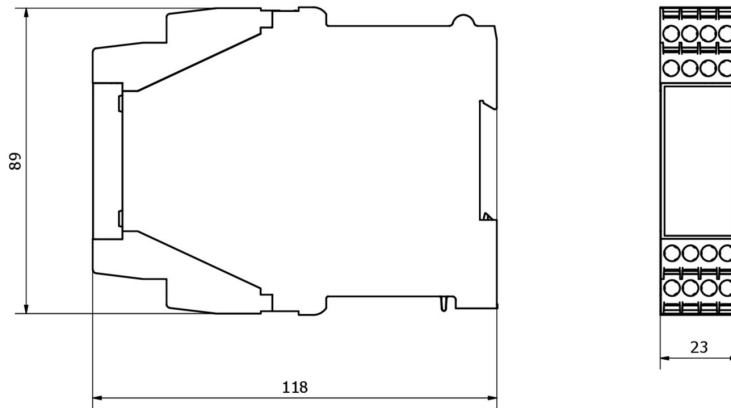
ETIM 8	EC001449 Device for monitoring safety-related circuits
--------	--

**More**

IPF Product Group	710 safety systems
packaging dimensions	170 x 140 x 45 mm
gross weight	250 g
Customs tariff number	85364190
WEEE number	40951076
Reach-compliant	Yes
RoHS-compliant	Yes

**Connection**



**Dimensional drawing****Installation**

Mounting / installation may only be carried out by a qualified electrician!

**Disposal**

WEEE number according to § 6 para. 3  
ElektroG: 40951076

**Safety warnings**

**/** Before initial operation, please make sure to follow all safety instructions that may be provided in the product information.

**/** Any software, drivers or IOOD files that may be required to operate your device can be downloaded free of charge from our homepage: [www.ipf-electronic.com](http://www.ipf-electronic.com)