

AO000312

Accessories • Spacer Ring

accessories optical, Baffle rings, for C-mount lenses, Ø31mm 1high, thickness 1mm, Aluminum



Mechanical features

Outer diameter	31 mm
Thickness of baffle ring	1 mm
Height	1 mm
Inner diameter	26 mm
Housing material	Aluminum
Accessories for	C-mount lenses

Other features

Focusable	No
Version	Baffle ring 1mm

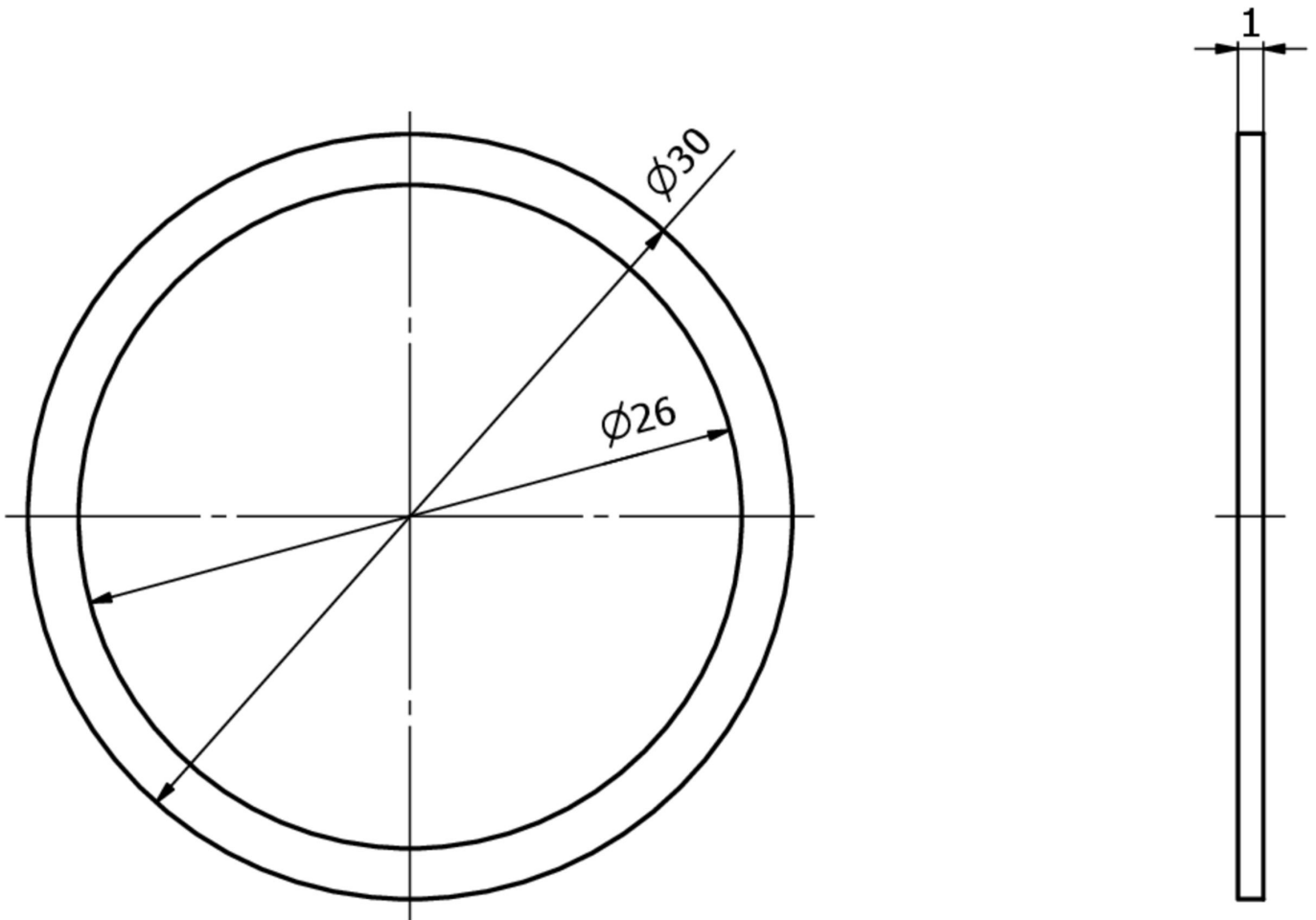
Classification

ETIM 8	EC001776 Lens for surveillance camera
--------	---------------------------------------

More

IPF Product Group	914 accessories camera sensors
packaging dimensions	100 x 70 x 1 mm
gross weight	1 g
Customs tariff number	76169990
WEEE number	40951076
Reach-compliant	Yes
RoHS-compliant	Yes

Dimensional drawing



Installation

Mounting / installation may only be carried out by a qualified electrician!



Disposal

WEEE number according to § 6 para. 3
ElektroG: 40951076

Safety warnings

- / Before initial operation, please make sure to follow all safety instructions that may be provided in the product information.
- / Never use these devices in applications where the safety of a person depends on their functionality.