

A0000319

camera additional lighting • Line lights

LED line light, camera, 14x100mm, infrared light, 3.6W, 10-30V DC, M5 connector, IP50, aluminum+plastic



For any kind of inspection tasks with a camera sensor the lighting is essential, as only high-contrast images enable reproducible evaluations. Here the lighting has a decisive influence. The choice depends on different factors such as the distance to the test object, its size, the component criteria to be tested or the expected environmental conditions.

Electrical features

Type of electrical connection	Connector M5
Rated operating current	150 mA
Flash controller	No
Power	3.6 W
Protection class	III
Operating voltage (DC)	10 - 30 V

Mechanical features

Width	14 mm
Height	100 mm
Degree of protection (IP)	IP50
Housing material	Aluminum
Front screen material	Plastic
Ambient temperature	-10 - 45 °C

Optical features

Light source	Infrared light
--------------	----------------

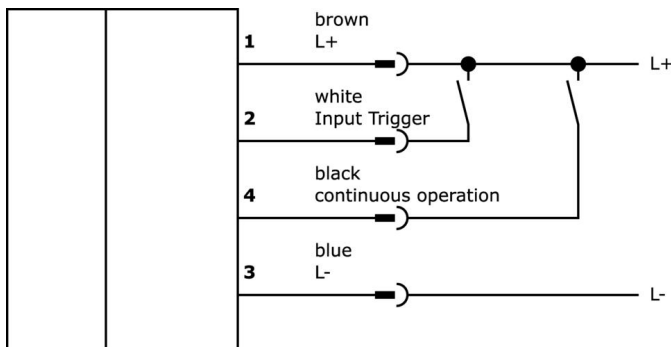
Classification

ETIM 8	EC000348 Machine and workbench light
--------	--------------------------------------

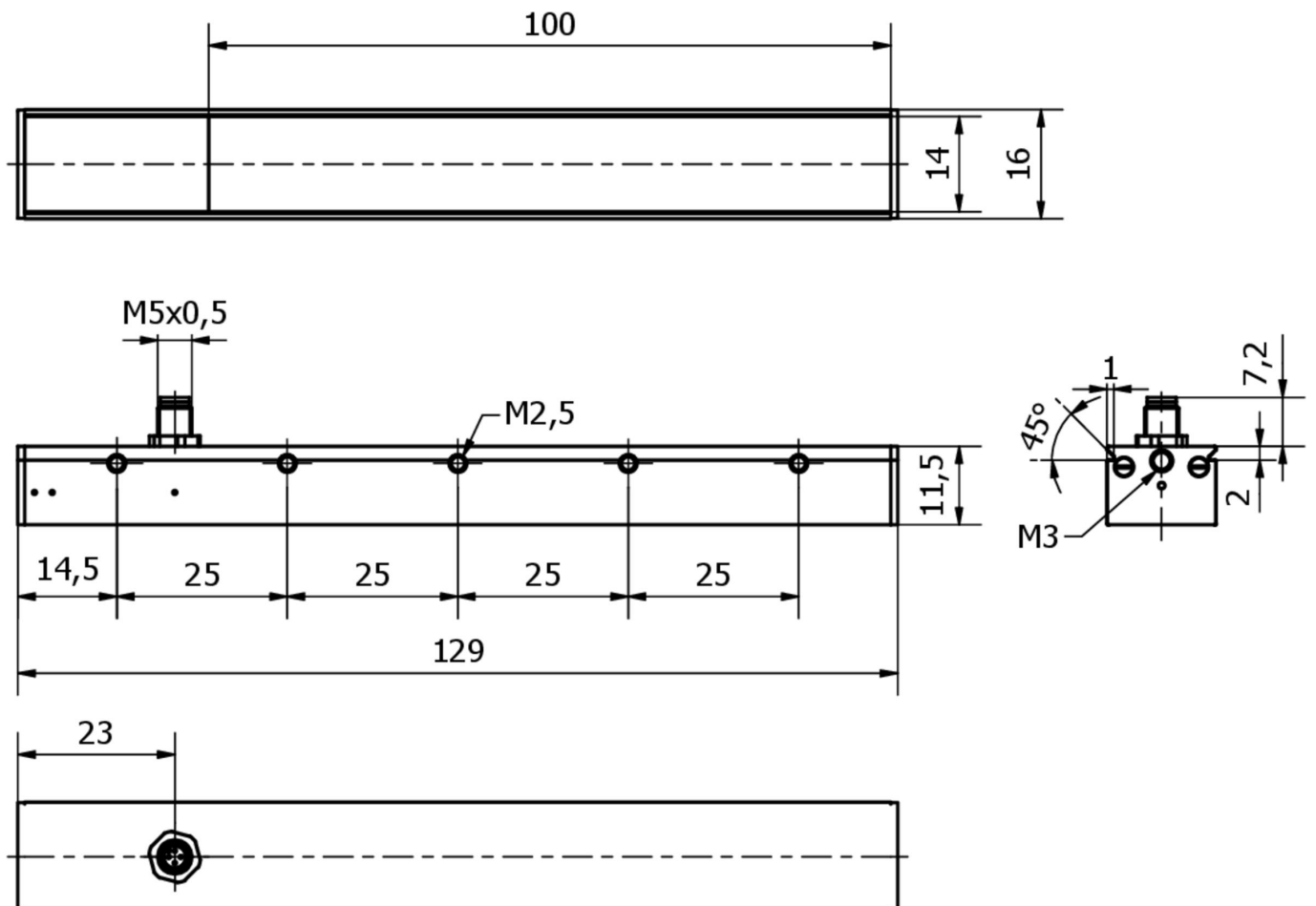
More

IPF Product Group	915 camera illumination
packaging dimensions	123 x 77 x 25 mm
gross weight	60 g
Customs tariff number	94054239
WEEE number	40951076
Reach-compliant	Yes
RoHS-compliant	Yes

Connection



Dimensional drawing



Extract accessories program**VK200361**

Connection cable, 2m, M5 Female
(socket) 4pin Angular, Free
conductor end, 4x0.14mm², PUR
(Polyurethane), Ø3.5mm, 125V,
IP67, Oil and cooling lubricants

VK200365

Connection cable, 2m, M5 Female
(socket) 4pin Straight, Free
conductor end, 4x0.14mm², PUR
(Polyurethane), Ø3.5mm, 125V,
IP67, Oil and cooling lubricants

You can find further accessories on our homepage

**Installation**

Mounting / installation may only be carried out by a qualified electrician!

**Disposal**

WEEE number according to § 6 para. 3
ElektroG: 40951076

Safety warnings

/ Before initial operation, please make sure to follow all safety instructions that may be provided in the product information.

/ Never use these devices in applications where the safety of a person depends on their functionality.

/ LED lighting systems can generate intensive UV radiation, which can damage your eyes in case of improper use. The manufacturer cannot be held responsible for damages that result from improper use or connection.