

# AO000388

## Accessories • Mounting

accessories optical, Adapter plate, 1,5x120x58mm, Steel



### Mechanical features

Width	58 mm
Height	1.5 mm
Length	120 mm
Material	Steel

### Other features

Version	Flat
---------	------

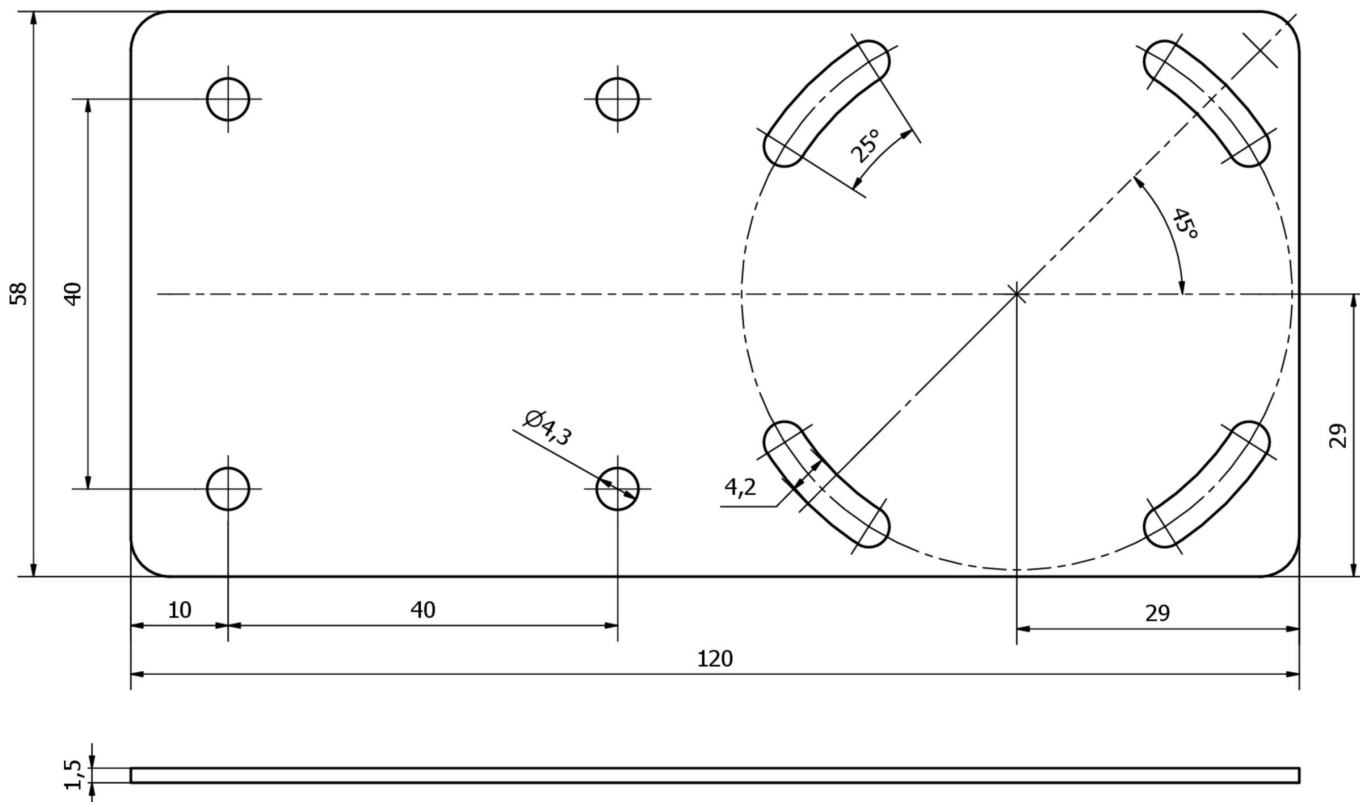
### Classification

ETIM 8	EC002024 Accessories/spare parts for command devices
--------	--

### More

IPF Product Group	914 accessories camera sensors
packaging dimensions	168 x 100 x 9 mm
gross weight	90 g
Customs tariff number	73269098
WEEE number	40951076
OzDS-compliant	Yes
POP-compliant	Yes
Reach-compliant	Yes
RoHS-compliant	Yes

**Dimensional drawing**



**Extract accessories program**

**AY000129**



Accessories, magnetic,  $\phi 66$ mm, neodymium-iron-boron, inside thread M6, rubber

**AY000144**



accessories sensor, Adapter plate, 3x30x85mm, Stainless steel 1. 4305

You can find further accessories on our homepage



**Installation**

Mounting / installation may only be carried out by a qualified electrician!



**Disposal**

WEEE number according to § 6 para. 3 ElektroG: 40951076

**Safety warnings**

**/** Before initial operation, please make sure to follow all safety instructions that may be provided in the product information.

**/** Never use these devices in applications where the safety of a person depends on their functionality.