

AO000389

Accessories • Optical sensors - Assembly

accessories optical, Mounting angle bracket, M4x0.7 58long, Mounting material for sensor, brackets, Steel

including Screw, Washer, Toothed washer



Mechanical features

Width	50.5 mm
Height	62.5 mm
Length	58 mm
Mounting method	Screw mounting
Surface	Varnished
Material	Steel

Other features

Version	Angular
---------	---------

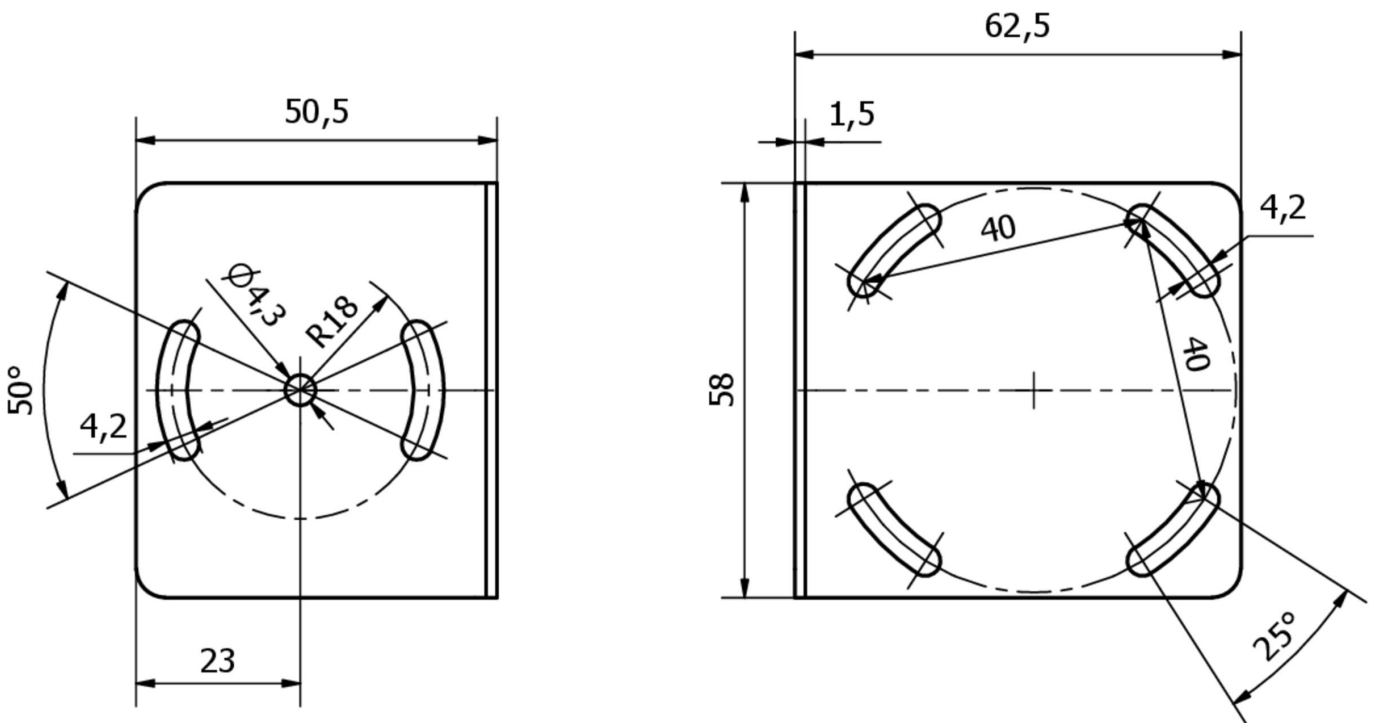
Classification

ETIM 8	EC002625 Mounting accessories (control cabinet)
--------	---

More

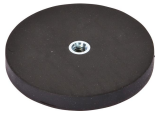
IPF Product Group	914 accessories camera sensors
packaging dimensions	120 x 100 x 52 mm
gross weight	83 g
Customs tariff number	73269098
WEEE number	40951076
OzDS-compliant	Yes
POP-compliant	Yes
Reach-compliant	Yes
RoHS-compliant	Yes

Dimensional drawing



Extract accessories program

AY000129



Accessories, magnetic, Ø66mm, neodymium-iron-boron, inside thread M6, rubber

AY000144



accessories sensor, Adapter plate, 3x30x85mm, Stainless steel 1.4305

You can find further accessories on our homepage



Installation

Mounting / installation may only be carried out by a qualified electrician!



Disposal

WEEE number according to § 6 para. 3 ElektroG: 40951076

Safety warnings

/ Before initial operation, please make sure to follow all safety instructions that may be provided in the product information.

/ Never use these devices in applications where the safety of a person depends on their functionality.