

A0000399

Accessories • Protective housing

accessories optical, Lens spacer, M47x0.5 15long, Aluminum



Mechanical features

Outer diameter	49.5 mm
Thread pitch	0.5 mm
Inner diameter	44 mm
Length	15 mm
Material	Aluminum
Thread dimension	M47

Other features

Version	Lens protection extension
---------	---------------------------

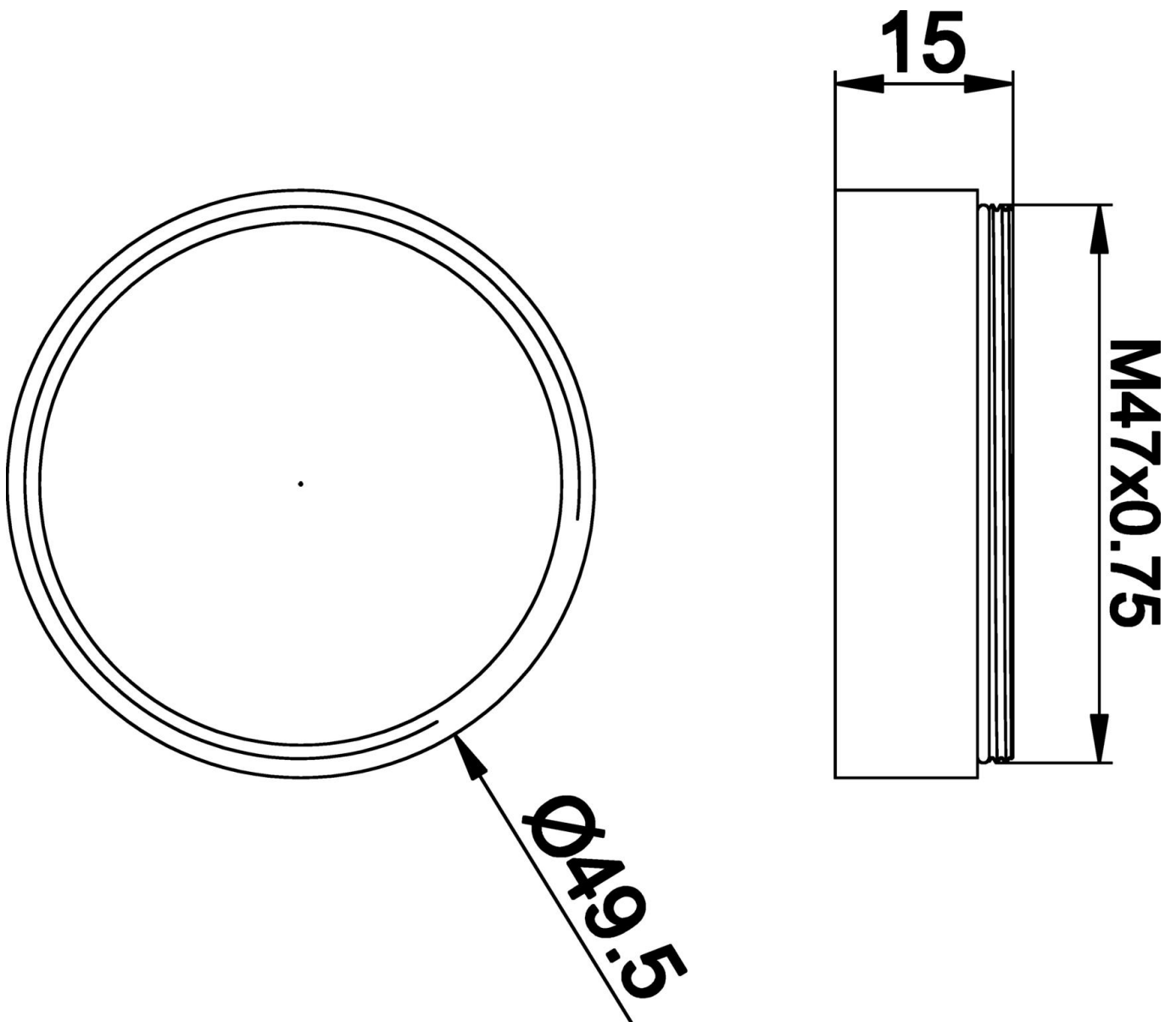
Classification

ETIM 8	EC001637 Digital Camera Accessories/Spare Parts (Photo)
--------	---

More

IPF Product Group	914 accessories camera sensors
packaging dimensions	120 x 100 x 15 mm
gross weight	10 g
Customs tariff number	76169990
WEEE number	40951076
OzDS-compliant	Yes
POP-compliant	Yes
Reach-compliant	Yes
RoHS-compliant	Yes

Dimensional drawing



Installation

Mounting / installation may only be carried out by a qualified electrician!



Disposal

WEEE number according to § 6 para. 3
ElektroG: 40951076

Safety warnings

- / Before initial operation, please make sure to follow all safety instructions that may be provided in the product information.
- / Never use these devices in applications where the safety of a person depends on their functionality.