

AO000435

Accessories • Protective shields

accessories optical, Cover disc, 25x3x78mm, Opal, Acrylic glass



Mechanical features

Cover type	Opal
Width	78 mm
Height	25 mm
Length	3 mm
Material	Acrylic glass

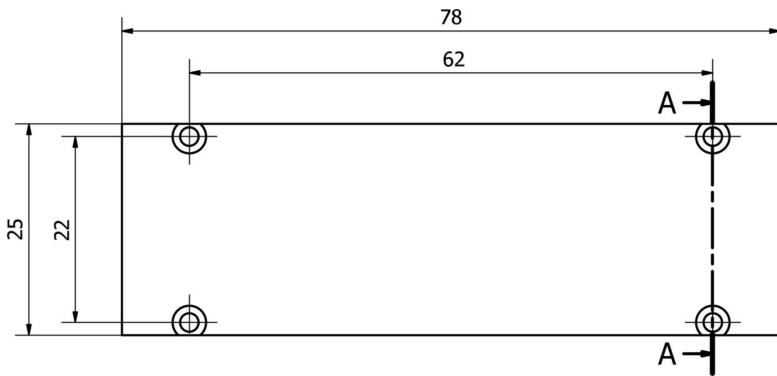
Classification

ETIM 8	EC002558 Lighting accessories for luminaires
--------	--

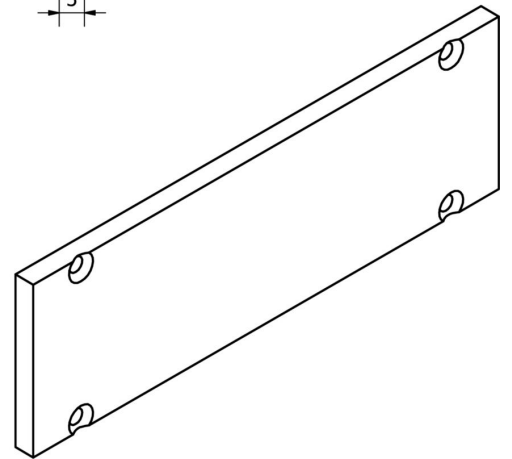
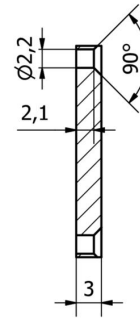
More

IPF Product Group	915 camera illumination
packaging dimensions	
gross weight	9 g
Customs tariff number	39269097
WEEE number	40951076
Reach-compliant	Yes
RoHS-compliant	Yes

Dimensional drawing



A-A (2 : 1)



Installation

Mounting / installation may only be carried out by a qualified electrician!



Disposal

WEEE number according to § 6 para. 3
ElektroG: 40951076

Safety warnings

- / Before initial operation, please make sure to follow all safety instructions that may be provided in the product information.
- / Never use these devices in applications where the safety of a person depends on their functionality.