

## AO000477

### Accessories • Optical covers

accessories optical, Aperture, 19x32x2mm, Metal



#### Mechanical features

Width	2 mm
Height	19 mm
Length	32 mm
Housing material	Metal

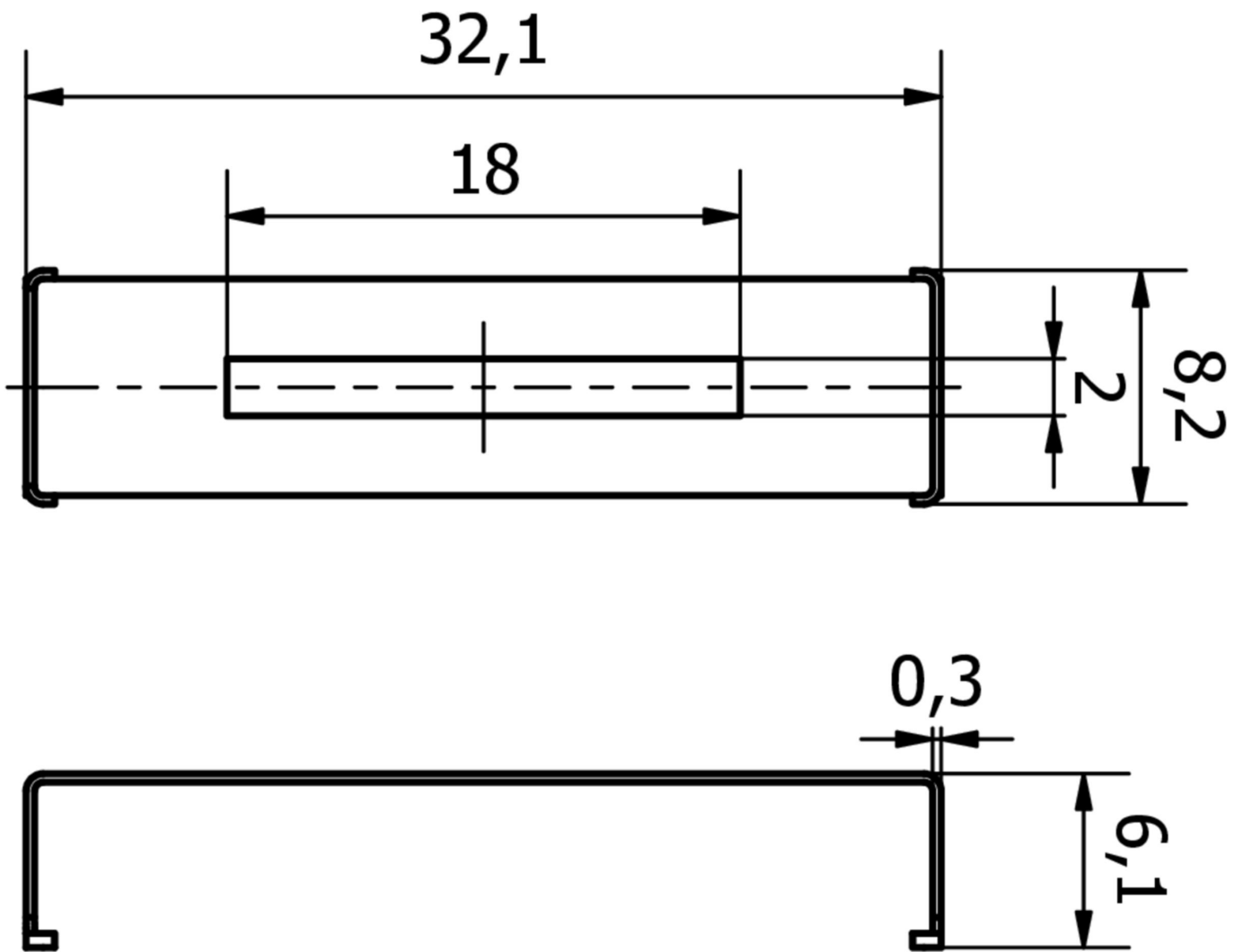
#### Classification

ETIM 8	EC002024 Accessories/spare parts for command devices
--------	--

#### More

IPF Product Group	900 accessories
packaging dimensions	125 x 100 x 5 mm
gross weight	3 g
Customs tariff number	73269098
WEEE number	40951076
POP-compliant	Yes
Reach-compliant	Yes
RoHS-compliant	Yes

**Dimensional drawing**



**Installation**

Mounting / installation may only be carried out by a qualified electrician!



**Disposal**

WEEE number according to § 6 para. 3  
ElektroG: 40951076

**Safety warnings**

/ Before initial operation, please make sure to follow all safety instructions that may be provided in the product information.

/ Never use these devices in applications where the safety of a person depends on their functionality.