

## AO000480

### camera additional lighting • Transmitted light luminaire

LED transmitted light, telecentric, C-mount, Ø61mm length 152.1mm, green light, 2.5W, 525nm, 12-24V DC, M8 connector 4-pin, IP50, aluminum+glass



### Telecentric illumination Suitable for continuous and flash operation

For any kind of inspection tasks with a camera sensor the lighting is essential, as only high-contrast images enable reproducible evaluations. Here the lighting has a decisive influence. The choice depends on different factors such as the distance to the test object, its size, the component criteria to be tested or the expected environmental conditions.

#### Electrical features

Type of electrical connection	Connector M8
Rated operating current	350 mA
Flash controller	Required
Power	2.5 W
Max. peak current	2000 mA
Number of pins	4
Protection class	III
Operating voltage (DC)	12 - 24 V

#### Mechanical features

Outer diameter	61 mm
Diameter	61 mm
Length	152.1 mm
With C-mount thread	Yes
Degree of protection (IP)	IP50
Front screen scattering behavior	clear
Housing material	Aluminum
Front screen material	Glass
Working distance range	70 - 140 mm
Ambient temperature	0 - 40 °C

#### Optical features

Number of LEDs	1
Lamp	LED
Light source	Green light
Wavelength of the sensor	525 nm
Angle of beam spread	0.08 °
Risk group	1

**Other features**

Relative air humidity (non-condensing)	20 - 85 %
Operational mode	external controller   Permanent operation   Switching operation

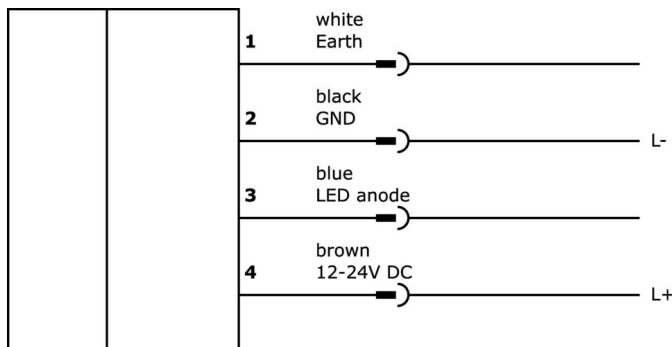
**Classification**

ETIM 8	EC000348 Machine and workbench light
--------	--------------------------------------

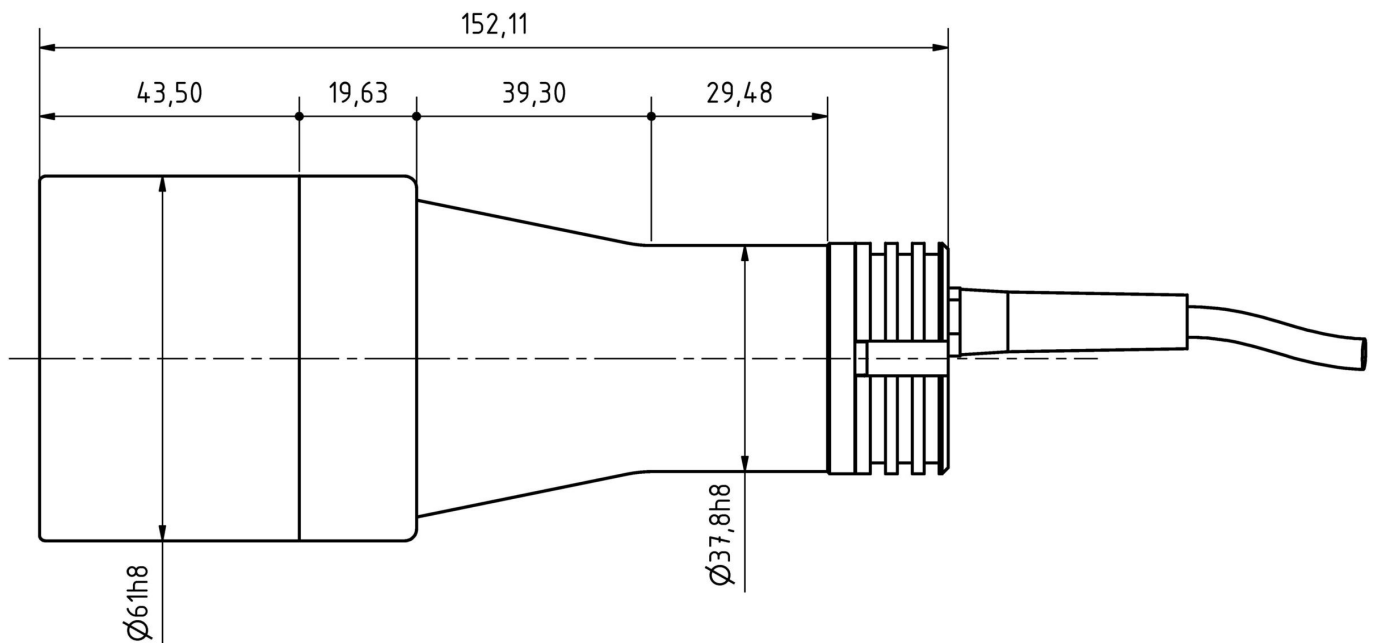
**More**

IPF Product Group	915 camera illumination
packaging dimensions	240 x 150 x 130 mm
gross weight	660 g
Customs tariff number	94054239
WEEE number	40951076
Reach-compliant	Yes
RoHS-compliant	Yes

**Connection**



**Dimensional drawing**



**Extract accessories program**

**VK000039**



Adaption, M8 Female (socket)  
4pin Straight, M8 Male  
(connector) 3pin Straight, 24V, -  
25-85°C, IP67, Oil and cooling  
lubricants, Welding area

**VK200371**



Connection cable, 2m, M8 Female  
(socket) 4pin Angular, Free  
conductor end, 4x0.34mm<sup>2</sup>, PUR  
(Polyurethane), Ø4.7mm, 30V, -  
30-90°C, IP67, Suitable for trailing  
chain and torsion resistant, Oil and  
cooling lubricants, Welding area,  
Silicone-free

**VK200375**



Connection cable, 2m, M8 Female  
(socket) 4pin Straight, Free  
conductor end, 4x0.34mm<sup>2</sup>, PUR  
(Polyurethane), Ø4.7mm, 30V, -  
30-90°C, IP67, Suitable for trailing  
chain and torsion resistant, Oil and  
cooling lubricants, Welding area,  
Silicone-free

**VK000040**



Adaption, M8 Female (socket)  
4pin Straight, M12 Male  
(connector) 4pin Straight, 24V, -  
25-85°C, IP67, Oil and cooling  
lubricants, Welding area

**AO000481**



Accessories Optical, adapter,  
126x110x97mm, aluminum

**VK030F71**



Connection cable, 0.3m, M8  
socket 4-pin angular, M8  
connector 4-pin straight, 4-core,  
PUR (polyurethane), suitable for  
trailing chain and torsion resistant,  
oils and cooling lubricants,  
welding area, silicone-free

**VK030F75**



Connection cable, 0.3m, M8  
socket 4-pin straight, M8  
connector 4-pin straight, 4-core,  
PUR (polyurethane), suitable for  
trailing chain and torsion-  
resistant, oils and cooling  
lubricants, welding area, silicone-  
free

You can find further accessories on our homepage



**Installation**

Mounting / installation may only be carried  
out by a qualified electrician!



**Disposal**

WEEE number according to § 6 para. 3  
ElektroG: 40951076

**Safety warnings**

**/** Before initial operation, please make sure to follow all safety instructions that may be provided in the product information.

**/** Never use these devices in applications where the safety of a person depends on their functionality.

**/** LED lighting systems can generate intensive UV radiation, which can damage your eyes in case of improper use. The manufacturer cannot be held responsible for damages that result from improper use or connection.