

AO000487

LED lights • Machine and bench lights

LED machine light, M12x1 47long, white light, 0.9W, 80lx, 5000K, 10-30V DC, M12-connector 4-pin, IP67, stainl. steel+clear plastic

including Nut



Control input for brightness control

The lights can be used in confined installation situations. Various diameters (M8, M12 and M18) are available. The lights are fastened via the outside thread of the stainless steel housing using lock nuts. Various connection options (M8 or M12-connector or cable variants) with different beam angles and illuminances make it possible to create the right lighting conditions for any required application.

Electrical features

Type of electrical connection	Connector M12
Rated operating current	36 mA
Power	0.9 W
Number of pins	4
Protection class	III
Reverse polarity protection	Yes
Operating voltage (DC)	10 - 30 V
ardSOCA_ElektrischerAnschluss	M12 4-pin plug connector
ardSOCA_Betriebsspannung	10-30VDC

Mechanical features

Design	Cylinder, screw-thread
Diameter	12 mm
Thread pitch	1 mm
Length	47 mm
Degree of protection (IP)	IP67
Front screen scattering behavior	clear
Housing material	Stainless steel 1.4305
Front screen material	Plastic
Thread dimension	M12
Ambient temperature	-20 - 50 °C
ardSOCA_Abmessungen	M12x1, 47mm long

Optical features

Number of LEDs	2
Illuminance at 500mm distance	80 lx
Illumination in the center (distance 1 m)	25 lx
Color temperature	5000 K
Lamp	LED
Light source	White light
Angle of beam spread	140 °
Risk group	1

Classification

ETIM 8	EC000348 Machine and workbench light
--------	--------------------------------------

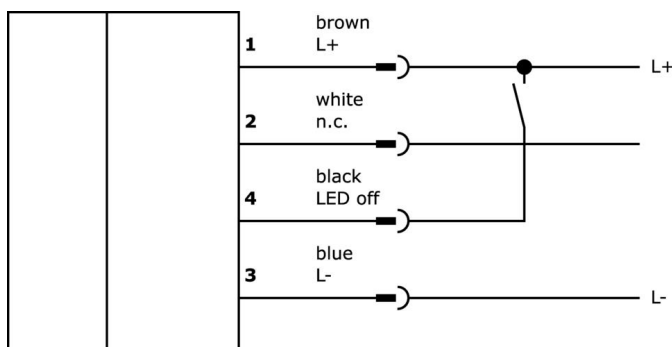
More

IPF Product Group	190 machine illuminations
packaging dimensions	123 x 77 x 25 mm
gross weight	45 g
Customs tariff number	94054239
WEEE number	40951076
Reach-compliant	Yes
RoHS-compliant	Yes

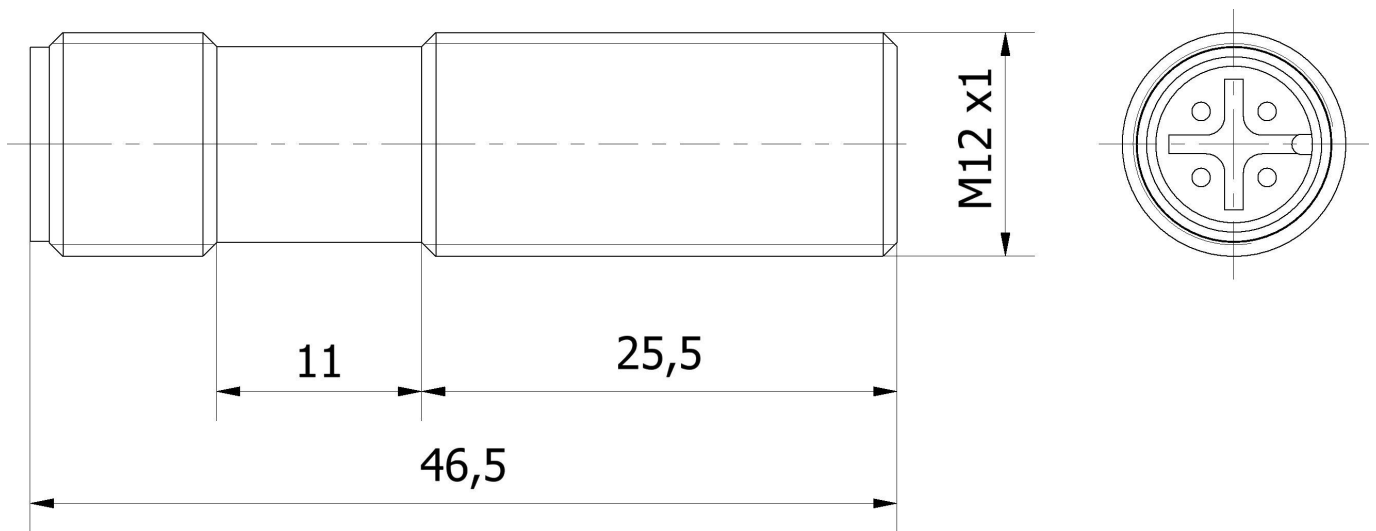
Important notes

- /** If the control input is not connected or is connected to GND, the light is switched on.
- /** From a voltage of +5.5V to +30V, the light up is switched off.
- /** For longer feed lines (> 2m), the unused control input should be connected to GND.

Connection



Dimensional drawing



Extract accessories program

VK030F60



Connection cable, 0.3m, M12 socket 3-pin angular, M8 connector 3-pin straight, 3x0.34mm², PUR (polyurethane), 60V, IP67, suitable for trailing chain and torsion resistant, oils and cooling lubricants, welding area, silicone-free

VK003020



Cable socket, angular, self-assembly, screw connection, Ø3-6.5mm, 4A, 240V, -25-90°C, M12 socket 4-pin, IP67, PBT

VK003025



Cable socket, Straight, Suitable for self-assembly, Screw connection, Ø3-6.5mm, 4A, 60V, -25-90°C, M12 Female (socket) 5pin, IP67, PBT

VK200025



Connection cable, 2m, M12 Female (socket) 3pin Straight, Free conductor end, 3x0.34mm², PUR (Polyurethane), Ø4.3mm, 250V, -30-90°C, IP67, Suitable for trailing chain and torsion resistant, Oil and cooling lubricants, Welding area, Silicone-free

NG400501



DC power supply, 1-phase, 125x114x40mm, 24-28V, 5A, 90-264V AC 50Hz, 90-264V AC 60Hz, 127-370V DC, screw connection, IP20, aluminum, stabilized, pulsed output voltage

AY000025



accessories, Hexagon nut, M12x1, Wrench size 17mm, Brass Nickel-plated

AY000032



accessories sensor, Ø12mm, Aluminum, For sensor 12mm, for Wall mounting, Screw mounting

AY000162



Accessories, magnetic, Ø43mm, neodymium-iron-boron, inside thread M5, rubber

AY000159



accessories sensor, Mounting pipe, Ø12mm 200long, Aluminum Anodised

You can find further accessories on our homepage



Installation

Mounting / installation may only be carried out by a qualified electrician!



Disposal

WEEE number according to § 6 para. 3 ElektroG: 40951076

Safety warnings

- /** Before initial operation, please make sure to follow all safety instructions that may be provided in the product information.
- /** Never use these devices in applications where the safety of a person depends on their functionality.
- /** LED lighting systems can generate intensive UV radiation, which can damage your eyes in case of improper use. The manufacturer cannot be held responsible for damages that result from improper use or connection.