

AO000540

Accessories • Filter

accessories optical, Interference / polarizing filter, M27x0.5, Permeable wavelength range 450-650nm



Mechanical features

Outer diameter	27 mm
Thread pitch	0.5 mm
With C-mount thread	No
Thread dimension	M27

Optical features

Permeable wavelength range	450 - 650 nm
----------------------------	--------------

Other features

Version	Interference / polarizing filter
---------	----------------------------------

Classification

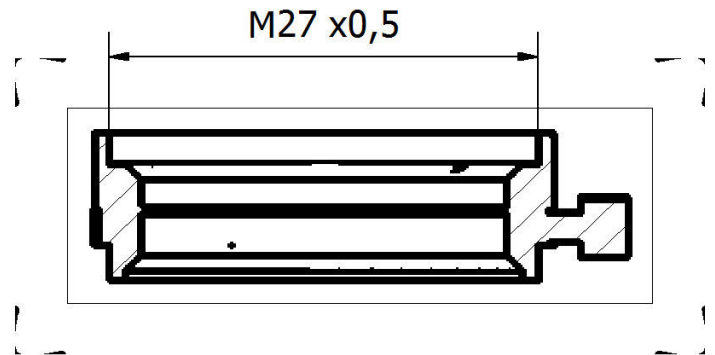
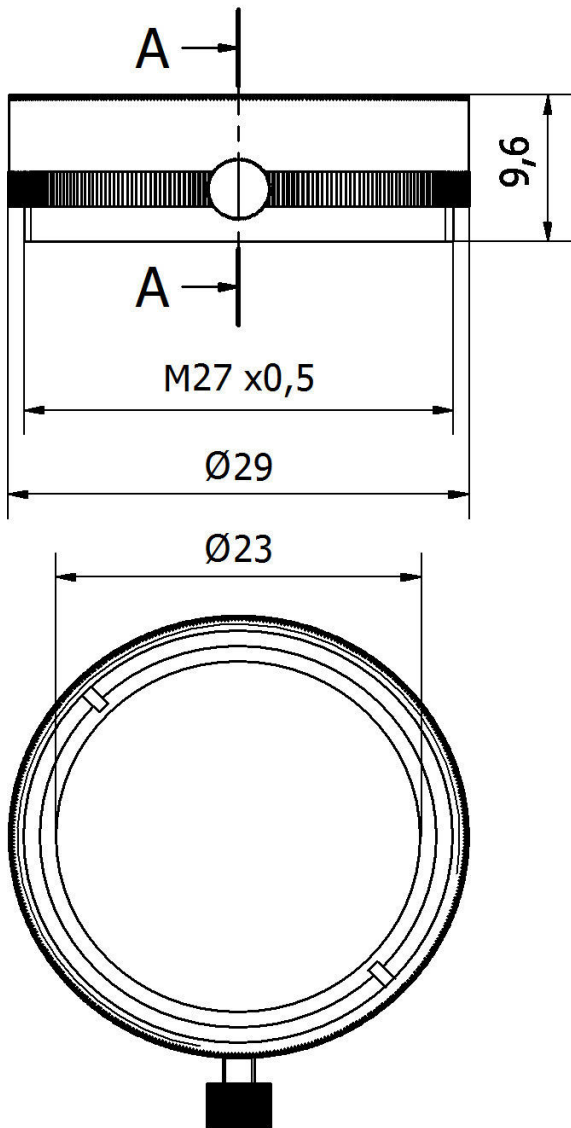
ETIM 8	EC001637 Digital Camera Accessories/Spare Parts (Photo)
--------	---

More

IPF Product Group	914 accessories camera sensors
packaging dimensions	95 x 75 x 17 mm
gross weight	25 g
Customs tariff number	90022000
WEEE number	40951076
Reach-compliant	Yes
RoHS-compliant	Yes

Dimensional drawing

A-A (2 : 1)



Installation

Mounting / installation may only be carried out by a qualified electrician!



Disposal

WEEE number according to § 6 para. 3
ElektroG: 40951076

Safety warnings

/ Before initial operation, please make sure to follow all safety instructions that may be provided in the product information.

/ Never use these devices in applications where the safety of a person depends on their functionality.