

AO000547

Objective • Entocentric

accessories optical, Lens Entocentric, Ø32mm 46long, F2.4/50mm, Minimum distance 100mm, C-mount (1-32 UN 2A), filter thread M30.5x0.5, Aluminum+Glass, Up to 2 megapixel, Focal distance Fixed



Entocentric lenses have a fixed or variable (zoom lenses) opening angle of the optics to the object. They are used for presence detection and assembly control, pick and place applications, feature inspections, color applications, OCR-recognition and code reading. Due to their perspective error they are not suitable for measurement applications. Telecentric lenses are special optical lenses that are characterized by the fact that their entrance or exit pupil are located at infinity. They are mainly used for measurement tasks with high repeatability, especially when measuring is to be made without perspective distortion at fluctuating object positions (in excess of the field of view in x and y direction).

Mechanical features

| | |
|---------------------------------------|----------------------|
| Lens diameter | 32 |
| Filter thread size, metric | 30.5 |
| Pitch of filter thread | 0.5 mm |
| Length | 46.5 mm |
| With C-mount thread | Yes |
| Lens connection | C-mount (1-32 UN 2A) |
| Thread dimension of the filter thread | M30.5 |
| Ambient temperature | -20 - 50 °C |

Optical features

| | |
|------------------------|-------------------|
| Resolution capacity | Up to 2 megapixel |
| Aperture number | 2.4 |
| Focal distance range | 50 mm |
| Lens type | Entocentric |
| Minimum focal distance | 300 mm |
| Aperture range | 50 |

Other features

| | |
|------------------|------------|
| Aperture control | Manual |
| Focusable | mechanical |

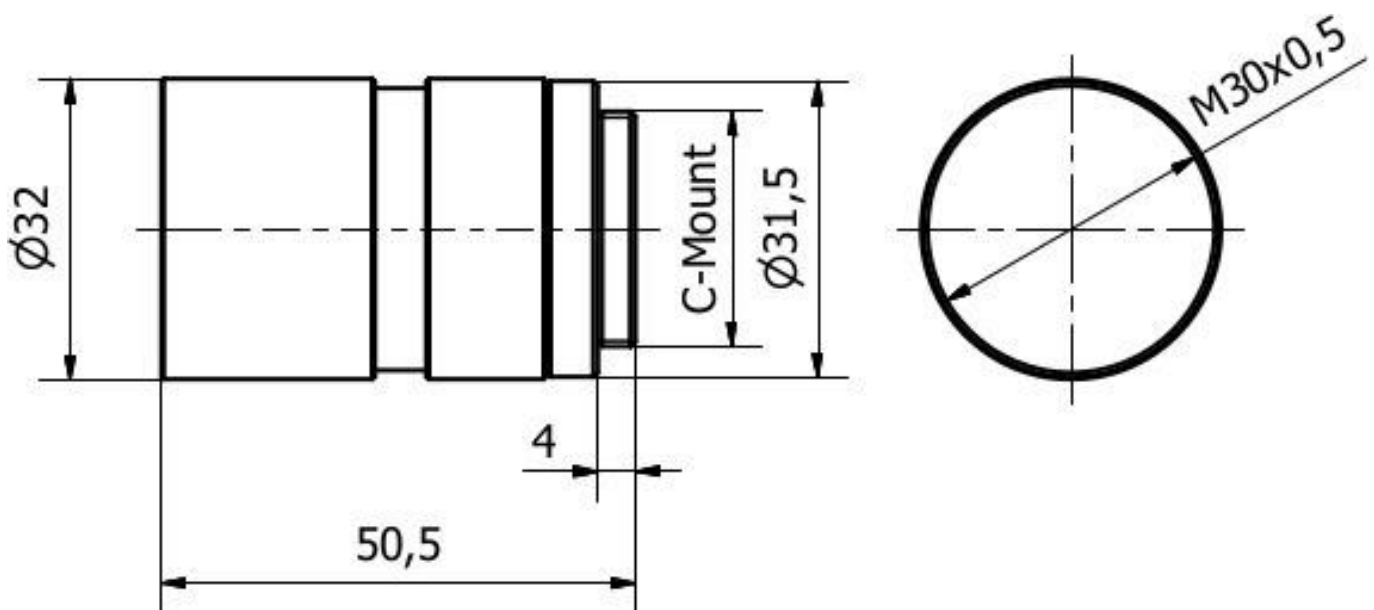
Classification

| | |
|--------|---------------------------------------|
| ETIM 8 | EC001776 Lens for surveillance camera |
|--------|---------------------------------------|

More

| | |
|-----------------------|--------------------------------|
| IPF Product Group | 914 accessories camera sensors |
| packaging dimensions | 105 x 43 x 43 mm |
| gross weight | 90 g |
| Customs tariff number | 90021100 |
| WEEE number | 40951076 |
| OzDS-compliant | Yes |
| POP-compliant | Yes |
| Reach-compliant | Yes |
| RoHS-compliant | Yes |

Dimensional drawing



Extract accessories program

AO000504



accessories optical, Adapter ring, for Camera illumination, filter thread M30.5x0.5, light thread M40.5x0.5, Aluminum

AO000610



accessories optical, Bandpass filter, M30.5x0.5, Filter color Clear, Permeable wavelength range 410-710nm, Aluminum+Glass

AO000505



accessories optical, Adapter ring, for Camera illumination, filter thread M27x0.5, light thread M40.5x0.5, Aluminum

You can find further accessories on our homepage



Installation

Mounting / installation may only be carried out by a qualified electrician!



Disposal

WEEE number according to § 6 para. 3 ElektroG: 40951076

Safety warnings

/ Before initial operation, please make sure to follow all safety instructions that may be provided in the product information.

/ Never use these devices in applications where the safety of a person depends on their functionality.