

AO000552

Accessories • Mounting

accessories optical, Mounting bracket, 9x93x72mm, Aluminum Anodised



for mounting AO000449 and ERK00170

Mechanical features

Width	72 mm
Height	9 mm
Length	93 mm
Surface	Anodized
Housing material	Aluminum

Other features

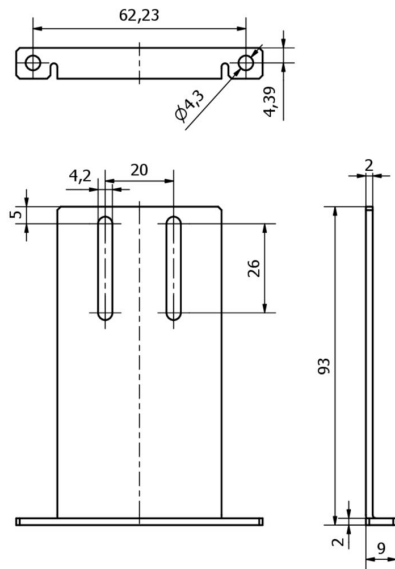
Version	Mounting bracket
---------	------------------

Classification

ETIM 8	EC002024 Accessories/spare parts for command devices
--------	--

More

IPF Product Group	914 accessories camera sensors
packaging dimensions	150 x 100 x 10 mm
gross weight	64 g
Customs tariff number	76169990
WEEE number	40951076
OzDS-compliant	Yes
POP-compliant	Yes
Reach-compliant	Yes
RoHS-compliant	Yes

Dimensional drawing**Installation**

Mounting / installation may only be carried out by a qualified electrician!

**Disposal**

WEEE number according to § 6 para. 3
ElektroG: 40951076

Safety warnings

- / Before initial operation, please make sure to follow all safety instructions that may be provided in the product information.
- / Never use these devices in applications where the safety of a person depends on their functionality.