

A0000577

Accessories • Mounting

accessories optical, Other, 120x42x82mm, Aluminum



Mounting aid for OC29

Mechanical features

Width	82 mm
Height	120 mm
Length	42 mm
Mounting method	Screw mounting
Surface	Anodized
Material	Aluminum

Other features

Version	Other
---------	-------

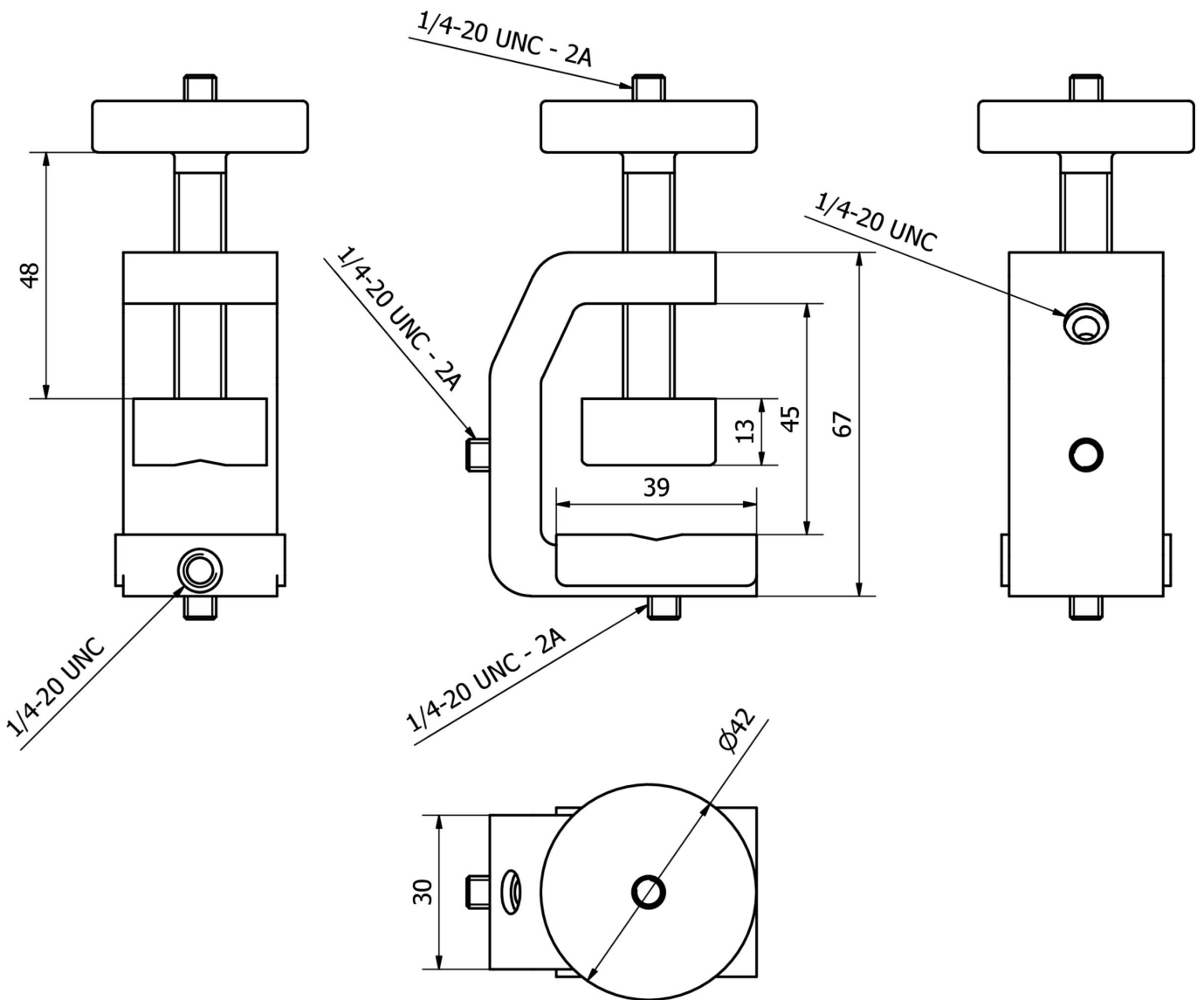
Classification

ETIM 8	EC002625 Mounting accessories (control cabinet)
--------	---

More

IPF Product Group	914 accessories camera sensors
packaging dimensions	170 x 120 x 55 mm
gross weight	234 g
Customs tariff number	76169990
WEEE number	40951076
Reach-compliant	Yes
RoHS-compliant	Yes

Dimensional drawing



Installation

Mounting / installation may only be carried out by a qualified electrician!



Disposal

WEEE number according to § 6 para. 3
ElektroG: 40951076

Safety warnings

/ Before initial operation, please make sure to follow all safety instructions that may be provided in the product information.

/ Never use these devices in applications where the safety of a person depends on their functionality.