

# A0000580

## Accessories • Optical sensors - Assembly

accessories optical, Mounting angle bracket, 34x7,5x23mm, Stainless steel



Optical accessories, mounting bracket, 34x7.5x23mm, stainless steel

### Mechanical features

Width	23 mm
Diameter of screw-on mounting	3.3
Height	34.5 mm
Length	7.5 mm
Mounting method	Screw mounting
Material	Stainless steel

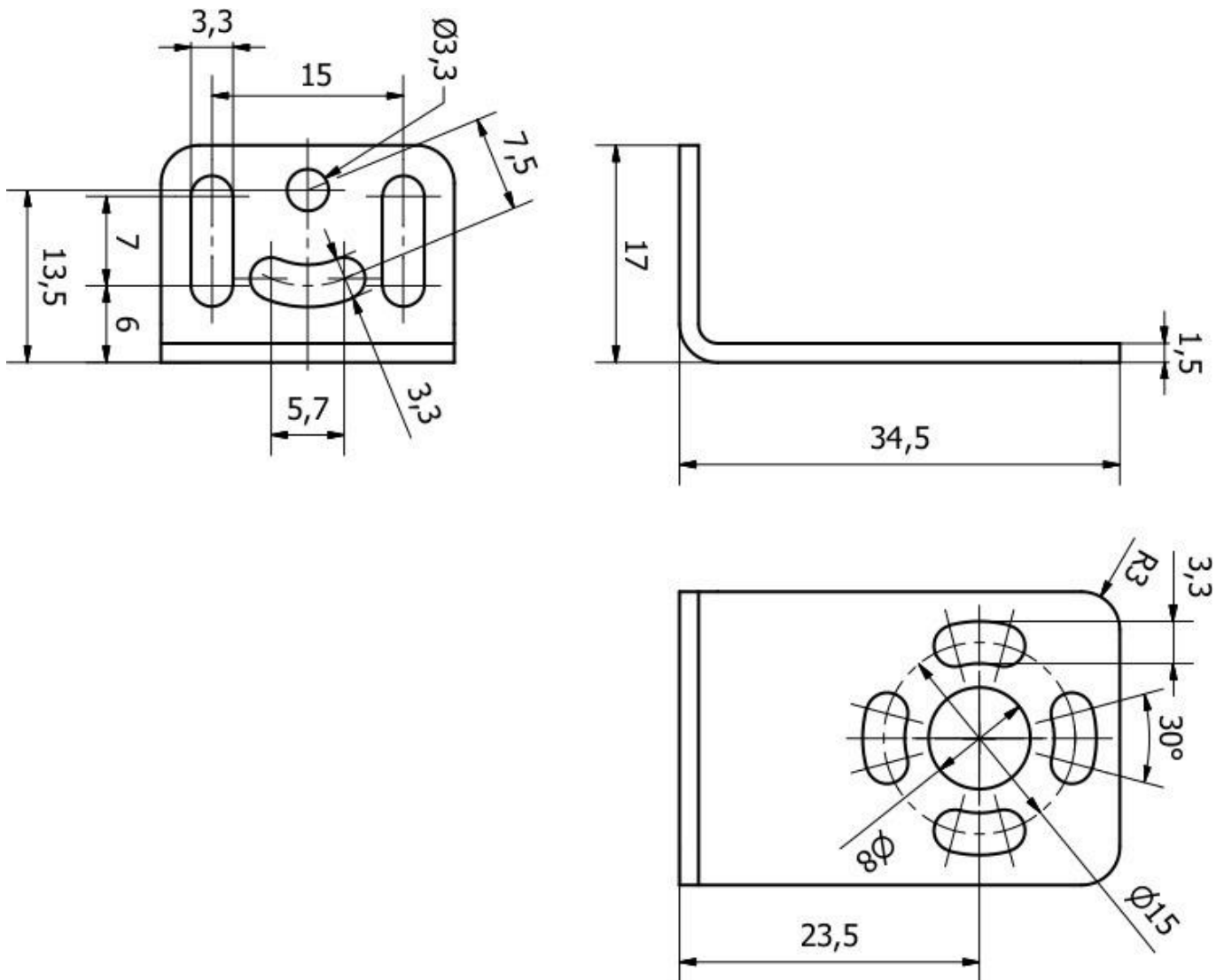
### Classification

ETIM 8	EC002625 Mounting accessories (control cabinet)
--------	---

### More

IPF Product Group	900 accessories
packaging dimensions	145 x 100 x 20 mm
gross weight	16 g
Customs tariff number	73269098
WEEE number	40951076
OzDS-compliant	Yes
POP-compliant	Yes
Reach-compliant	Yes
RoHS-compliant	Yes

**Dimensional drawing**



**Installation**

Mounting / installation may only be carried out by a qualified electrician!



**Disposal**

WEEE number according to § 6 para. 3  
ElektroG: 40951076

**Safety warnings**

- / Before initial operation, please make sure to follow all safety instructions that may be provided in the product information.
- / Never use these devices in applications where the safety of a person depends on their functionality.