

# AO000583

## Objective • Entocentric

accessories optical, Lens Entocentric, Ø42mm 48long, F2.4/3.5mm, Minimum distance 150mm, C-mount (1-32 UN 2A), filter thread M40.5x0.5, Aluminum+Glass, Up to 2 megapixel, Focal distance Fixed



Entocentric lenses have a fixed or variable (zoom lenses) opening angle of the optics to the object. They are used for presence detection and assembly control, pick and place applications, feature inspections, color applications, OCR-recognition and code reading. Due to their perspective error they are not suitable for measurement applications. Telecentric lenses are special optical lenses that are characterized by the fact that their entrance or exit pupil are located at infinity. They are mainly used for measurement tasks with high repeatability, especially when measuring is to be made without perspective distortion at fluctuating object positions (in excess of the field of view in x and y direction).

### Mechanical features

Outer diameter	42.5 mm
Lens diameter	42.5
Filter thread size, metric	40.5
Pitch of filter thread	0.5 mm
Length	47.5 mm
With C-mount thread	Yes
Lens connection	C-mount (1-32 UN 2A)
Thread dimension of the filter thread	M40,5
Ambient temperature	-10 - 50 °C

### Optical features

Resolution capacity	Up to 2 megapixel
Aperture number	2.4
Focal distance range	3,5 mm
Lens type	Entocentric
Minimum focal distance	150 mm
Aperture range	2,4 - 22

### Other features

Aperture control	Manual
Focusable	mechanical

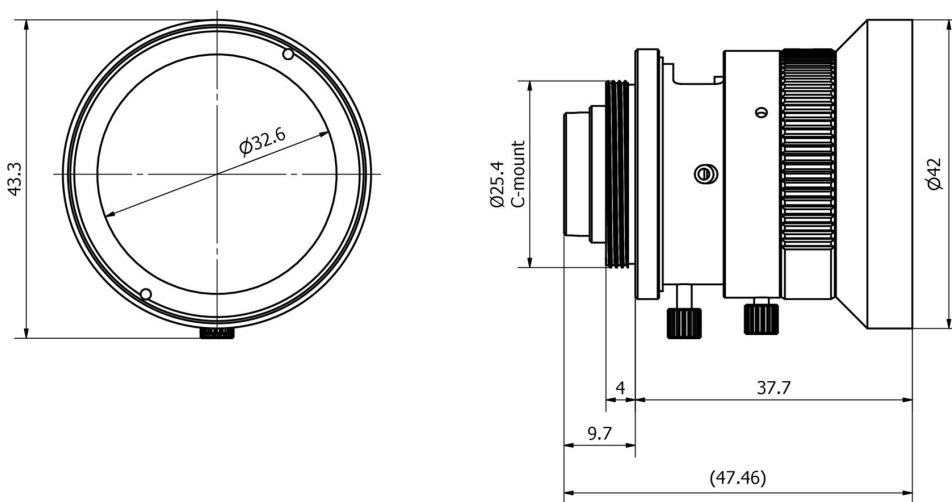
### Classification

ETIM 8	EC001776 Lens for surveillance camera
--------	---------------------------------------

**More**

IPF Product Group	914 accessories camera sensors
packaging dimensions	121 x 76 x 50 mm
gross weight	116 g
Customs tariff number	90021100
WEEE number	40951076
Reach-compliant	Yes
RoHS-compliant	Yes

**Dimensional drawing**



**Extract accessories program**

**AO000576**



accessories optical, Deflection mirror with fixing screw, 16mm, Aluminum+Glass

**AO000504**



accessories optical, Adapter ring, for Camera illumination, filter thread M30.5x0.5, light thread M40.5x0.5, Aluminum

**AO000505**



accessories optical, Adapter ring, for Camera illumination, filter thread M27x0.5, light thread M40.5x0.5, Aluminum

You can find further accessories on our homepage



**Installation**

Mounting / installation may only be carried out by a qualified electrician!



**Disposal**

WEEE number according to § 6 para. 3 ElektroG: 40951076

---

**Safety warnings**

- / Before initial operation, please make sure to follow all safety instructions that may be provided in the product information.
- / Never use these devices in applications where the safety of a person depends on their functionality.