

# AO000584

## Objective • Entocentric

accessories optical, Lens Entocentric, Ø36mm 36long, 8mm, Minimum distance 100mm, C-mount (1-32 UN 2A), filter thread M34x0.5, Aluminum+Glass, Up to 2 megapixel, Focal distance Fixed



Entocentric lenses have a fixed or variable (zoom lenses) opening angle of the optics to the object. They are used for presence detection and assembly control, pick and place applications, feature inspections, color applications, OCR-recognition and code reading. Due to their perspective error they are not suitable for measurement applications. Telecentric lenses are special optical lenses that are characterized by the fact that their entrance or exit pupil are located at infinity. They are mainly used for measurement tasks with high repeatability, especially when measuring is to be made without perspective distortion at fluctuating object positions (in excess of the field of view in x and y direction).

### Mechanical features

|                                       |                      |
|---------------------------------------|----------------------|
| Outer diameter                        | 36 mm                |
| Lens diameter                         | 49.5                 |
| Filter thread size, metric            | 34                   |
| Pitch of filter thread                | 0.5 mm               |
| Length                                | 35.52 mm             |
| With C-mount thread                   | Yes                  |
| Lens connection                       | C-mount (1-32 UN 2A) |
| Thread dimension of the filter thread | M34                  |
| Ambient temperature                   | -10 - 50 °C          |

### Optical features

|                        |                   |
|------------------------|-------------------|
| Resolution capacity    | Up to 2 megapixel |
| Focal distance range   | 8 mm              |
| Lens type              | Entocentric       |
| Minimum focal distance | 100 mm            |
| Aperture range         | 1,6 - 22          |

### Other features

|                  |            |
|------------------|------------|
| Aperture control | Manual     |
| Focusable        | mechanical |

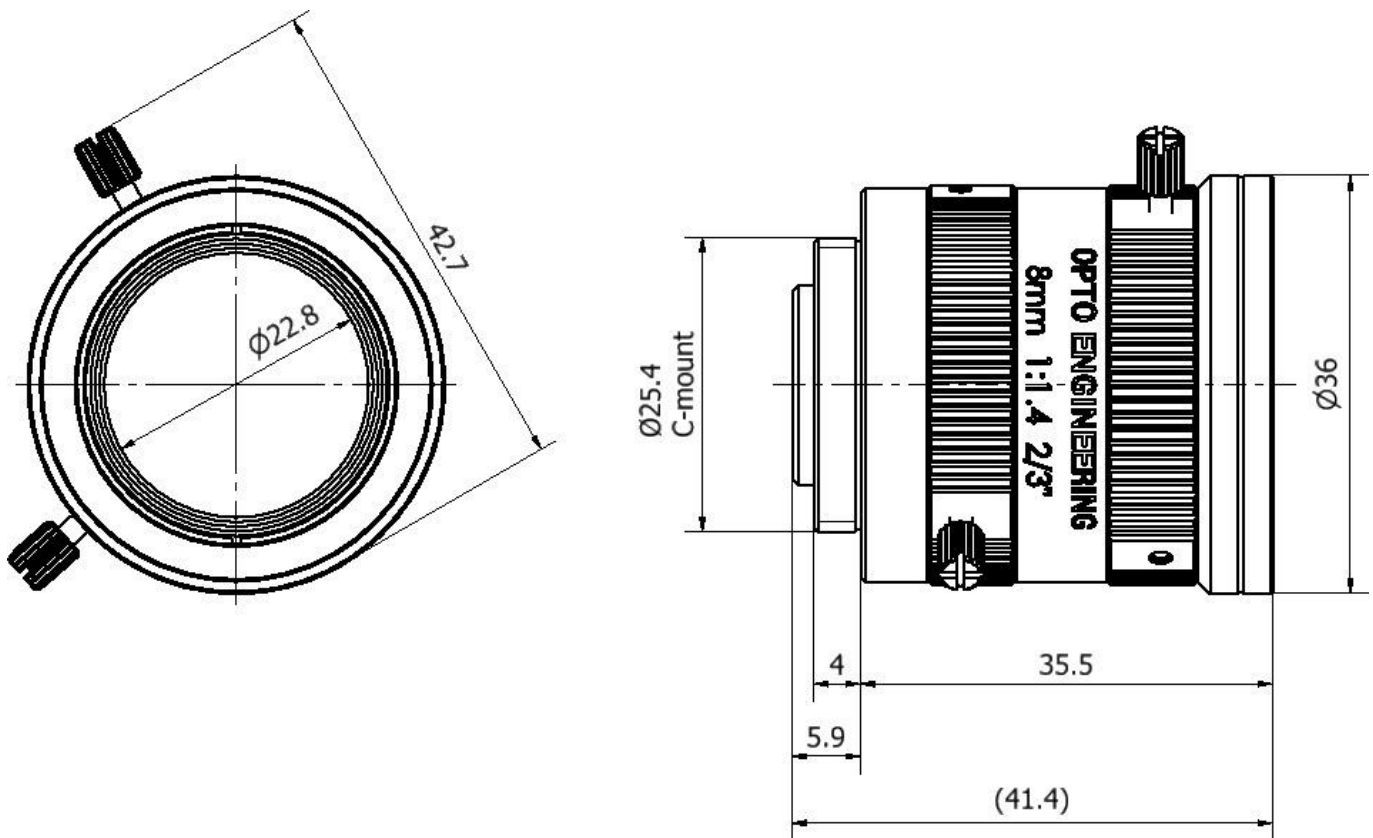
### Classification

|        |                                       |
|--------|---------------------------------------|
| ETIM 8 | EC001776 Lens for surveillance camera |
|--------|---------------------------------------|

**More**

|                       |                                |
|-----------------------|--------------------------------|
| IPF Product Group     | 914 accessories camera sensors |
| packaging dimensions  | 105 x 43 x 43 mm               |
| gross weight          | 95 g                           |
| Customs tariff number | 90021100                       |
| WEEE number           | 40951076                       |
| Reach-compliant       | Yes                            |
| RoHS-compliant        | Yes                            |

**Dimensional drawing**



**Installation**

Mounting / installation may only be carried out by a qualified electrician!



**Disposal**

WEEE number according to § 6 para. 3 ElektroG: 40951076

**Safety warnings**

- / Before initial operation, please make sure to follow all safety instructions that may be provided in the product information.
- / Never use these devices in applications where the safety of a person depends on their functionality.