

AO000588

Objective • Entocentric

accessories optical, Lens Entocentric, Ø35mm 34long, F1.4/35mm, Minimum distance 300mm, C-mount (1-32 UN 2A), filter thread M30.5x0.5, Aluminum+Glass, Up to 2 megapixel, Focal distance Fixed



Entocentric lenses have a fixed or variable (zoom lenses) opening angle of the optics to the object. They are used for presence detection and assembly control, pick and place applications, feature inspections, color applications, OCR-recognition and code reading. Due to their perspective error they are not suitable for measurement applications. Telecentric lenses are special optical lenses that are characterized by the fact that their entrance or exit pupil are located at infinity. They are mainly used for measurement tasks with high repeatability, especially when measuring is to be made without perspective distortion at fluctuating object positions (in excess of the field of view in x and y direction).

Mechanical features

Outer diameter	35.4 mm
Lens diameter	32
Filter thread size, metric	30.5
Pitch of filter thread	0.5 mm
Length	33.76 mm
With C-mount thread	Yes
Lens connection	C-mount (1-32 UN 2A)
Thread dimension of the filter thread	M30.5
Ambient temperature	-10 - 50 °C

Optical features

Resolution capacity	Up to 2 megapixel
Aperture number	1.4
Focal distance range	35 mm
Lens type	Entocentric
Minimum focal distance	300 mm
Aperture range	1,4 - 22

Other features

Aperture control	Manual
Focusable	mechanical

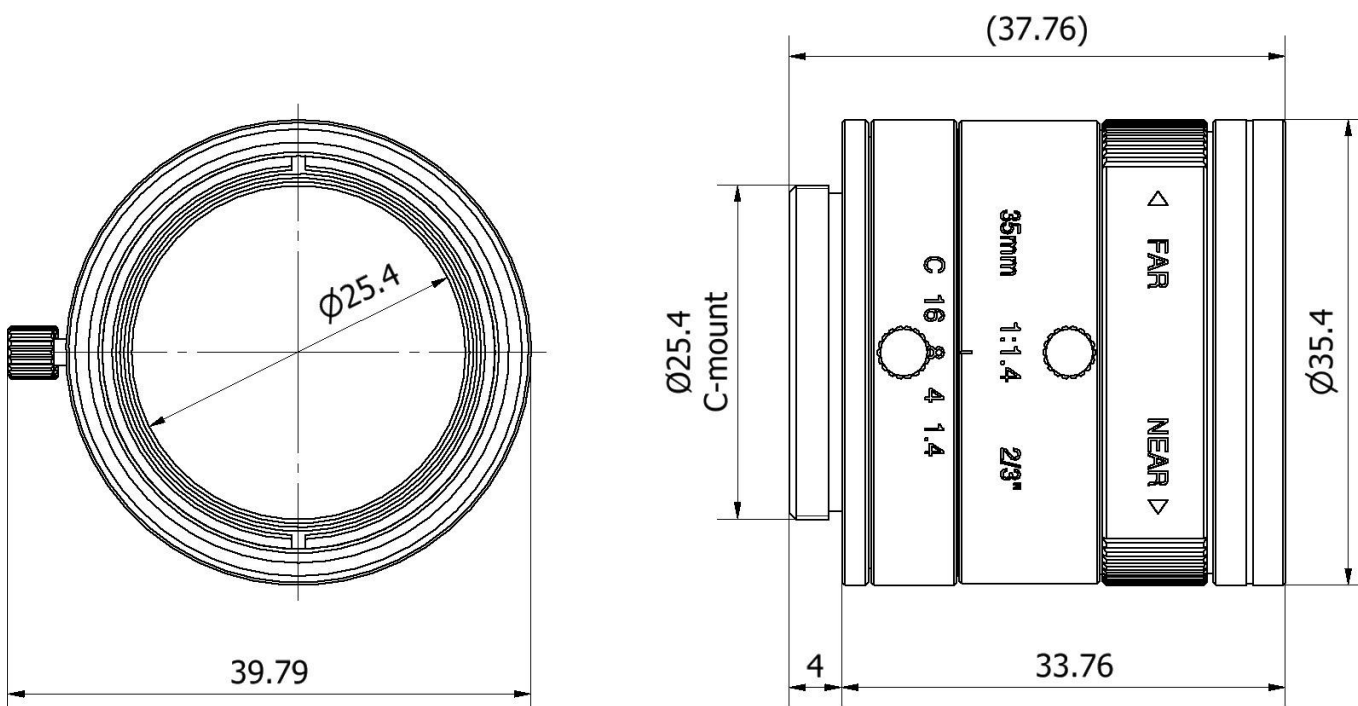
Classification

ETIM 8	EC001776 Lens for surveillance camera
--------	---------------------------------------

More

IPF Product Group	914 accessories camera sensors
packaging dimensions	105 x 43 x 43 mm
gross weight	106 g
Customs tariff number	90021100
WEEE number	40951076
Reach-compliant	Yes
RoHS-compliant	Yes

Dimensional drawing



Extract accessories program

AO000504



accessories optical, Adapter ring, for Camera illumination, filter thread M30.5x0.5, light thread M40.5x0.5, Aluminum

AO000610



accessories optical, Bandpass filter, M30.5x0.5, Filter color Clear, Permeable wavelength range 410-710nm, Aluminum+Glass

You can find further accessories on our homepage



Installation

Mounting / installation may only be carried out by a qualified electrician!



Disposal

WEEE number according to § 6 para. 3 ElektroG: 40951076

Safety warnings

- / Before initial operation, please make sure to follow all safety instructions that may be provided in the product information.
- / Never use these devices in applications where the safety of a person depends on their functionality.