

AO000596

Objective • Entocentric

Accessories Optical, entocentric lens, Ø46mm 58long, F1.8/50mm, minimum distance 400mm, C-mount (1-32 UN 2A), filter thread M37.5x0.5, aluminum+glass, up to 5 megapixels, focal distance fixed



Entocentric lenses have a fixed or variable (zoom lenses) opening angle of the optics to the object. They are used for presence detection and assembly control, pick and place applications, feature inspections, color applications, OCR-recognition and code reading. Due to their perspective error they are not suitable for measurement applications. Telecentric lenses are special optical lenses that are characterized by the fact that their entrance or exit pupil are located at infinity. They are mainly used for measurement tasks with high repeatability, especially when measuring is to be made without perspective distortion at fluctuating object positions (in excess of the field of view in x and y direction).

Mechanical features

Outer diameter	46.2mm
Lens diameter	46.2
Filter thread size, metric	37.5
Pitch of filter thread	0.5mm
Length	58.3mm
With C-mount thread	Yes
Lens connection	C-mount (1-32 UN 2A)
Thread dimension of the filter thread	M37.5
Ambient temperature	-10 - 50°C

Optical features

Resolution capacity	Up to 5 megapixel
Aperture number	1.8
Focal distance range	50mm
Lens type	Entocentric
Minimum focal distance	400mm
Aperture range	1,8 - 22

Other features

Aperture control	Manual
Focusable	mechanical

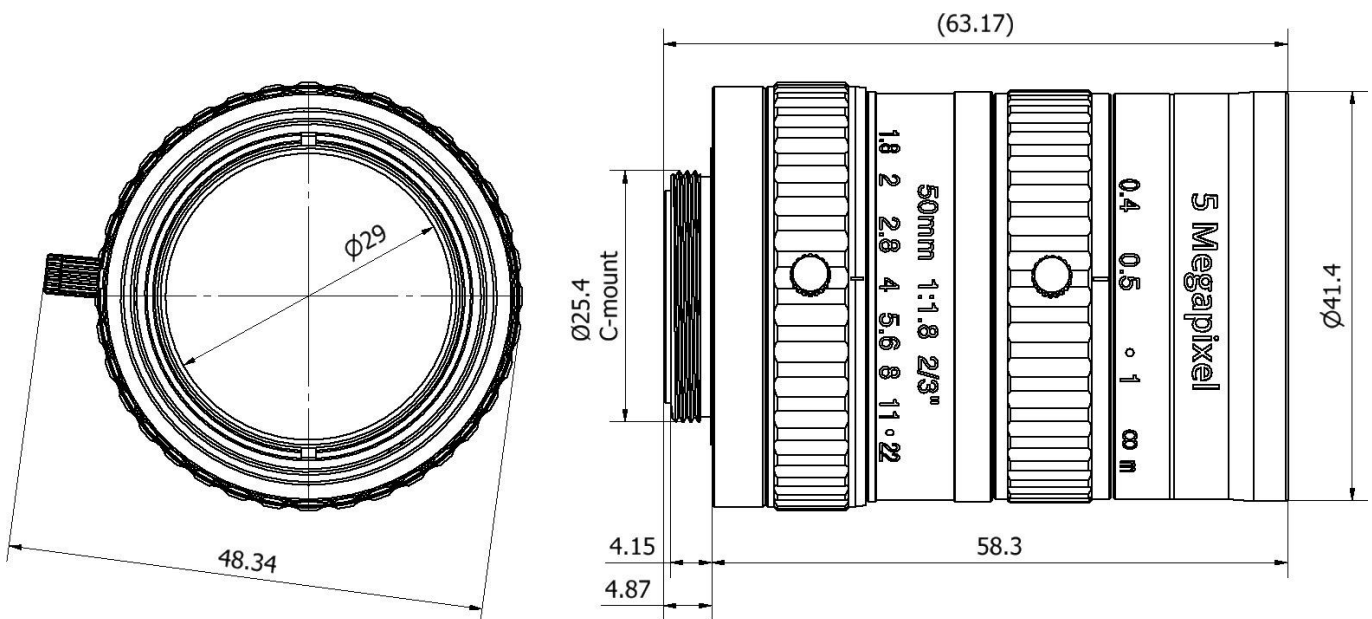
Classification

ETIM 8	EC001776 Lens for surveillance camera
--------	---------------------------------------

More

IPF Product Group	914 accessories camera sensors
packaging dimensions	
gross weight	
Customs tariff number	90021100
WEEE number	40951076
Reach-compliant	Yes
RoHS-compliant	Yes

Dimensional drawing



Extract accessories program

AO000504



accessories optical, Adapter ring, for Camera illumination, filter thread M30.5x0.5, light thread M40.5x0.5, Aluminum

AO000505



accessories optical, Adapter ring, for Camera illumination, filter thread M27x0.5, light thread M40.5x0.5, Aluminum

You can find further accessories on our homepage

Installation



Mounting / installation may only be carried out by a qualified electrician!

Disposal



Safety warnings

/ Before initial operation, please make sure to follow all safety instructions that may be provided in the product information.

/ Never use these devices in applications where the safety of a person depends on their functionality.