

# AO000604

## Objective • Entocentric

Accessories Optical, lens entocentric, Ø80mm 84lang, F2/12mm, minimum distance 150mm, C-Mount (1-32 UN 2A), filter thread M77x0.75, aluminum+glass, 12 megapixel, focal distance fixed



Entocentric lenses have a fixed or variable (zoom lenses) angle of beam spread of the optics to the lens. They are used for applications such as presence and placement checks, pick & place applications, feature inspections, color applications, OCR and code reading. Due to the perspective error, they are not suitable for measuring tasks. Telecentric lenses are special optical lenses that are characterized by the fact that the entrance or exit pupil is at infinity. These are mainly used in surveying tasks with high repeat accuracy. In particular, when measurements are to be taken with fluctuating object positions (via the image field in the X and Y directions) without perspective distortion.

### Mechanical features

Outer diameter	80 mm
Lens diameter	80
Filter thread size, metric	77
Pitch of filter thread	0.75 mm
Length	83.76 mm
With C-mount thread	Yes
Lens connection	C-mount (1-32 UN 2A)
Thread dimension of the filter thread	M77
Ambient temperature	-10 - 50 °C

### Optical features

Resolution capacity	12 megapixel
Aperture number	2
Focal distance range	12 mm
Lens type	Entocentric
Minimum focal distance	150 mm
Aperture range	2 - 22

### Other features

Aperture control	Manual
Focusable	mechanical

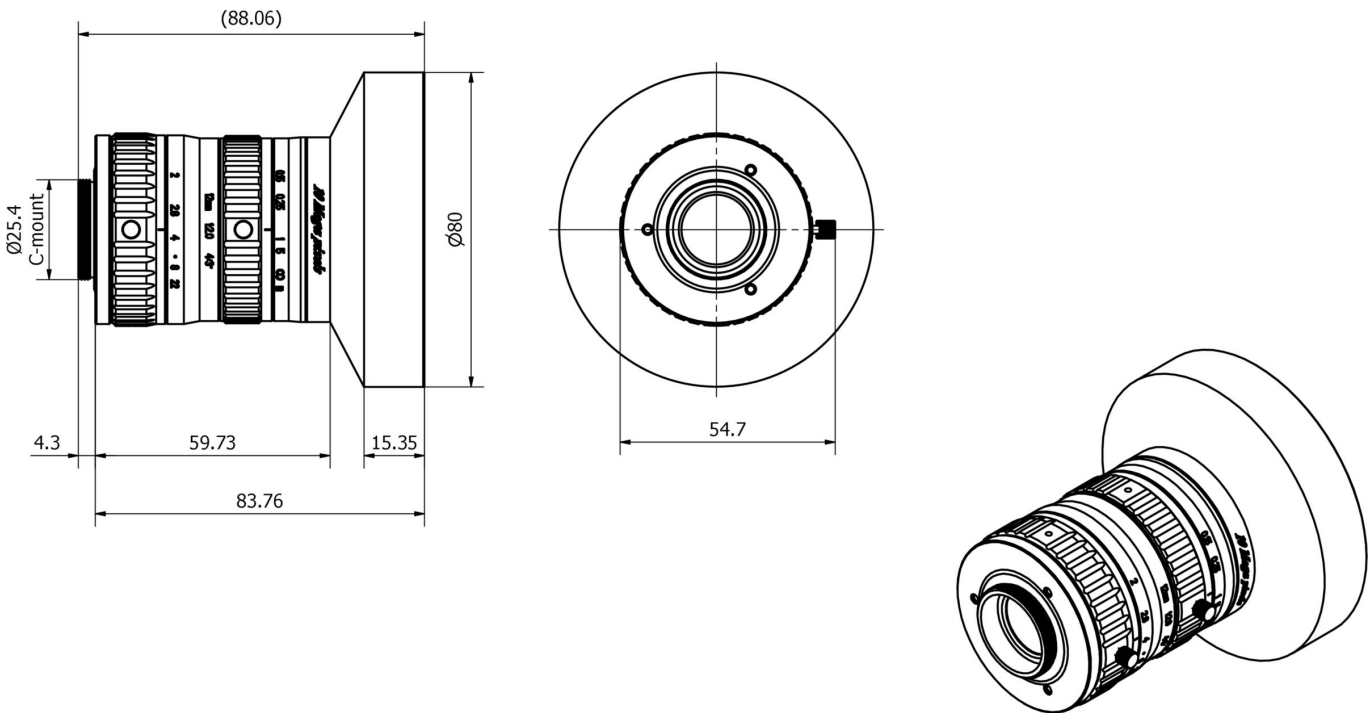
### Classification

ETIM 8	EC001776 Lens for surveillance camera
--------	---------------------------------------

**More**

IPF Product Group	914 accessories camera sensors
packaging dimensions	
gross weight	
Customs tariff number	90021100
WEEE number	40951076
Reach-compliant	Yes
RoHS-compliant	Yes

**Dimensional drawing**



**Extract accessories program**

**AO000504**



accessories optical, Adapter ring,  
for Camera illumination, filter  
thread M30.5x0.5, light thread  
M40.5x0.5, Aluminum

**AO000505**



accessories optical, Adapter ring,  
for Camera illumination, filter  
thread M27x0.5, light thread M40.  
5x0.5, Aluminum

You can find further accessories on our homepage



**Installation**

Mounting / installation may only be carried out by a qualified electrician!



**Disposal**

WEEE number according to § 6 para. 3  
ElektroG: 40951076

---

**Safety warnings**

- / Before initial operation, please make sure to follow all safety instructions that may be provided in the product information.
- / Never use these devices in applications where the safety of a person depends on their functionality.