

A0000611

Accessories • Filter

accessories optical, Bandpass filter, M30.5x0.5, Filter color Green, Permeable wavelength range 500-555nm, Aluminum+Glass



A low-cost means of optimizing the image information is the use of optical filters. In most cases, the fundamental idea is to increase the contrast in the resulting image. This can be achieved by, for example, suppressing interfering wavelength ranges in the light spectrum so that color characteristics can be brightened or darkened in the same way as when using colored lighting. The effect of interfering ambient light can be avoided or the wavelengths of the used light can simply be limited to such a degree that the camera sensor operates in the optimum range.

Mechanical features

Outer diameter	32.5 mm
Thread pitch	0.5 mm
Height	5 mm
Inner diameter	25.5 mm
Material	Aluminum
Active area material of sensor	glass
Thread dimension	M30.5

Optical features

Permeable wavelength range	500 - 555 nm
----------------------------	--------------

Other features

Filter color	green
--------------	-------

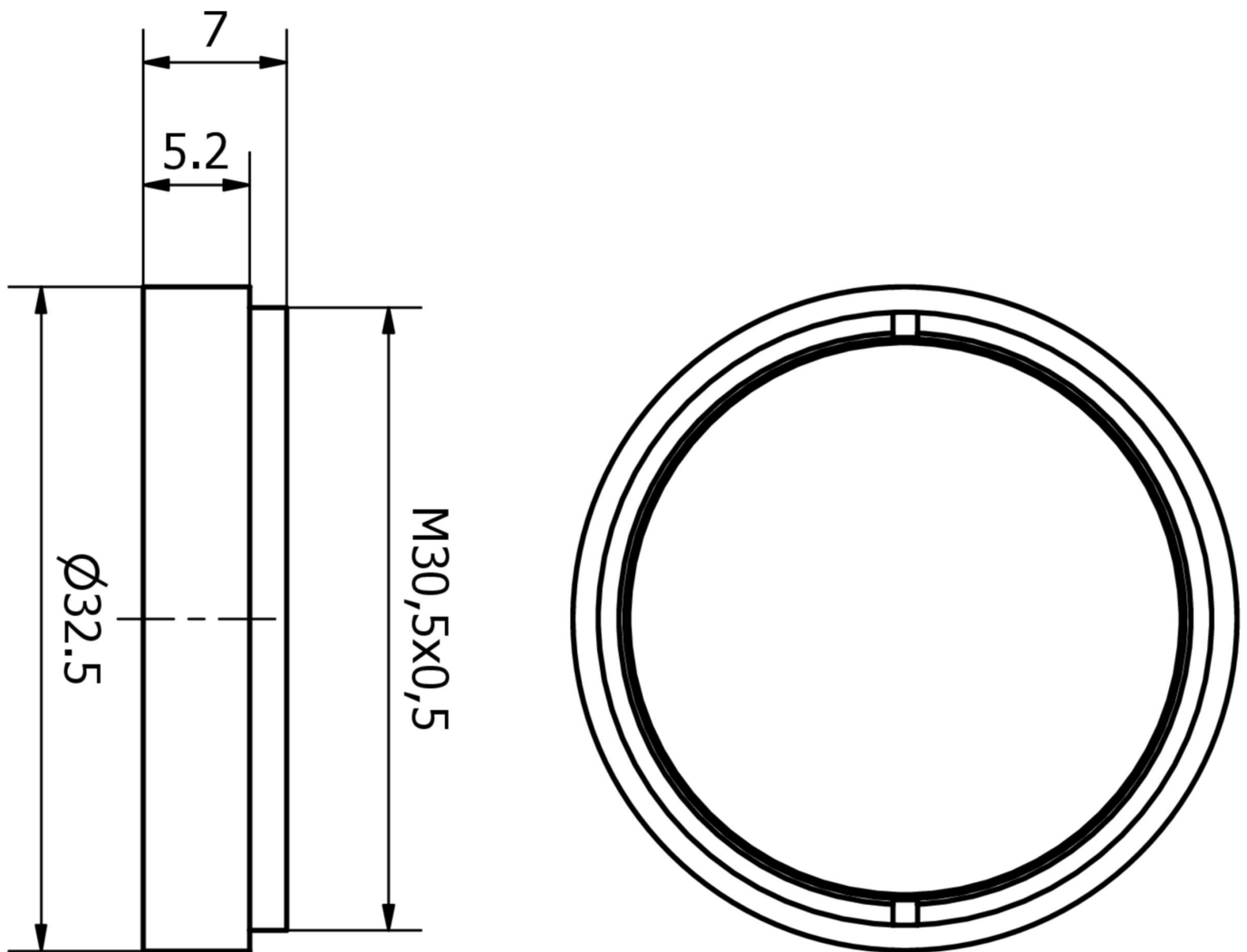
Classification

ETIM 8	EC001637 Digital Camera Accessories/Spare Parts (Photo)
--------	---

More

IPF Product Group	914 accessories camera sensors
packaging dimensions	165 x 100 x 20 mm
gross weight	22 g
Customs tariff number	90022000
WEEE number	40951076
Reach-compliant	Yes
RoHS-compliant	Yes

Dimensional drawing



Installation

Mounting / installation may only be carried out by a qualified electrician!



Disposal

WEEE number according to § 6 para. 3
ElektroG: 40951076

Safety warnings

/ Before initial operation, please make sure to follow all safety instructions that may be provided in the product information.

/ Never use these devices in applications where the safety of a person depends on their functionality.