

# A0000618

## Accessories • Mounting

Accessories Optical, ball joint, 40x55mm, 1/4 inch threaded bolt, aluminum



### Mechanical features

|                               |                |
|-------------------------------|----------------|
| Width                         | 40 mm          |
| Diameter of screw-on mounting | 25             |
| Height                        | 55 mm          |
| Mounting method               | Screw mounting |
| Surface                       | Anodized       |
| Material                      | Aluminum       |
| Thread dimension              | 1/4 inch       |

### Other features

|         |                       |
|---------|-----------------------|
| Version | Ball-and-socket joint |
|---------|-----------------------|

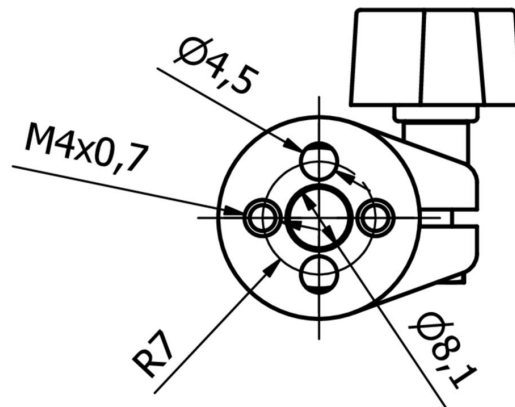
### Classification

|        |   |
|--------|---|
| ETIM 8 | EC002625 Mounting accessories (control cabinet) |
|--------|---|

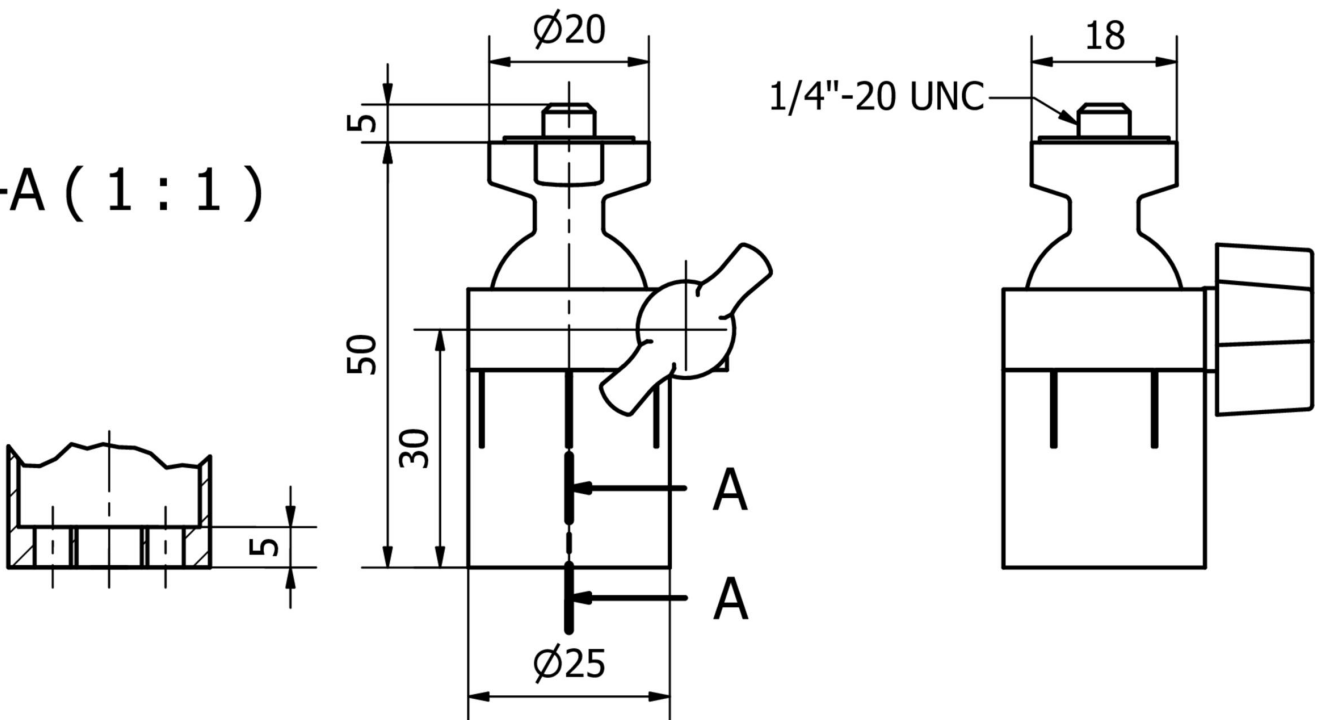
### More

|                       |                                |
|-----------------------|--------------------------------|
| IPF Product Group     | 914 accessories camera sensors |
| packaging dimensions  | 17.5 x 15 x 25 mm              |
| gross weight          | 50 g                           |
| Customs tariff number | 76169990                       |
| WEEE number           | 40951076                       |
| Reach-compliant       | Yes                            |
| RoHS-compliant        | Yes                            |

**Dimensional drawing**



**A-A (1 : 1)**



**Installation**

Mounting / installation may only be carried out by a qualified electrician!



**Disposal**

WEEE number according to § 6 para. 3  
ElektroG: 40951076

**Safety warnings**

/ Before initial operation, please make sure to follow all safety instructions that may be provided in the product information.

/ Never use these devices in applications where the safety of a person depends on their functionality.