

A0000630

Accessories • Filter

accessories optical, Bandpass filter, M25.4x0.794, With C-mount thread, Filter color Blue, Permeable wavelength range 460-490nm, Aluminum+Glass



for OC53962x, OC53972x

Mechanical features

Outer diameter	27 mm
Thread pitch	0.5 mm
Height	7 mm
Inner diameter	25.5 mm
Material	Aluminum
Active area material of sensor	glass
Thread dimension	M27

Optical features

Permeable wavelength range	460 - 490 nm
----------------------------	--------------

Other features

Filter color	blue
--------------	------

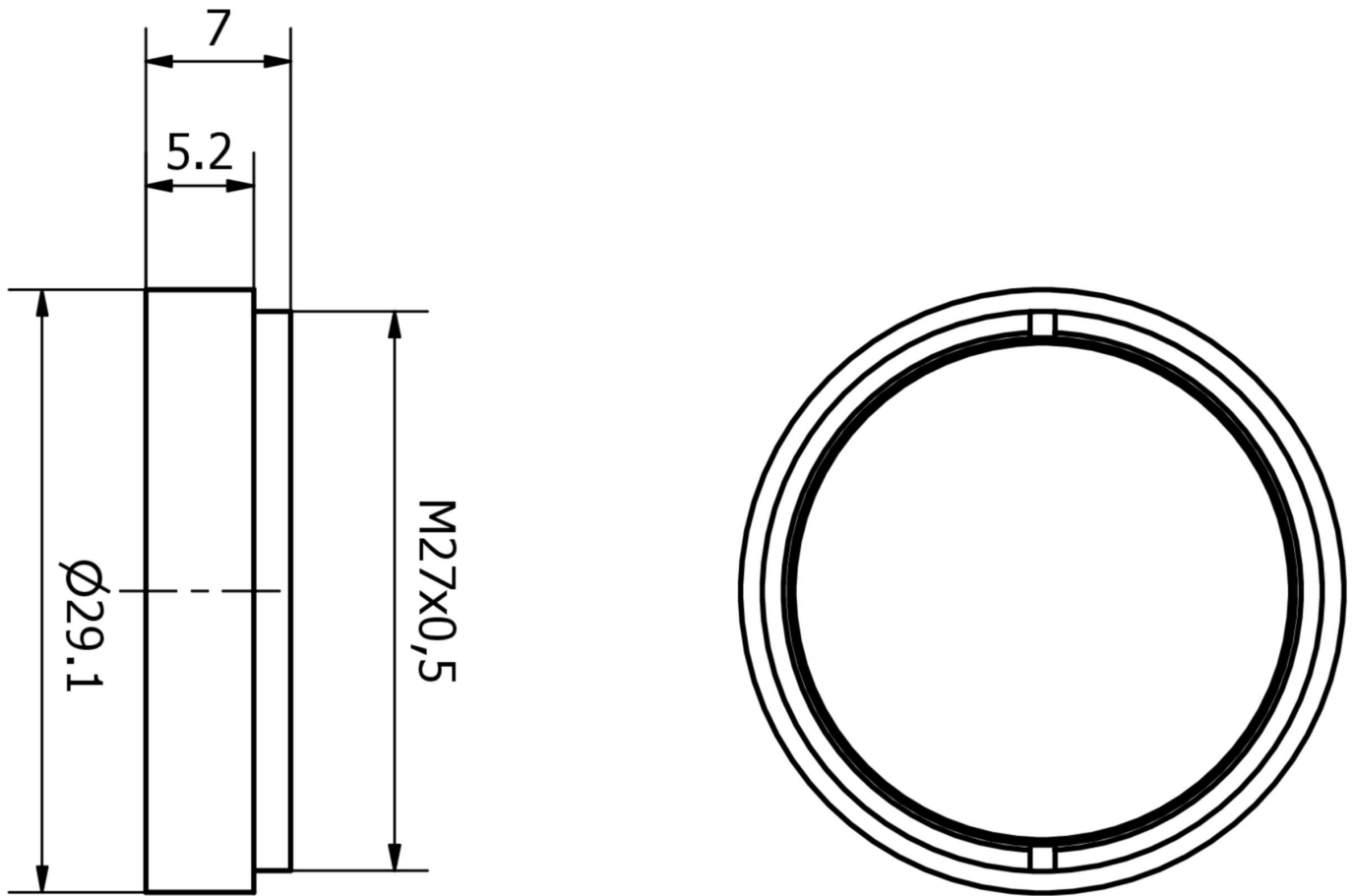
Classification

ETIM 8	EC001637 Digital Camera Accessories/Spare Parts (Photo)
--------	---

More

IPF Product Group	914 accessories camera sensors
packaging dimensions	165 x 100 x 20 mm
gross weight	20 g
Customs tariff number	90022000
WEEE number	40951076
Reach-compliant	Yes
RoHS-compliant	Yes

Dimensional drawing



Installation

Mounting / installation may only be carried out by a qualified electrician!



Disposal

WEEE number according to § 6 para. 3
ElektroG: 40951076

Safety warnings

- / Before initial operation, please make sure to follow all safety instructions that may be provided in the product information.
- / Never use these devices in applications where the safety of a person depends on their functionality.