

A0000631

Accessories • Camera lighting - Mounting

accessories optical, Adapter ring, for Camera illumination, filter thread M27x0.5, light thread M40.5x0.5, Aluminum



Mechanical features

Adaption	Lens - Ring light
Filter thread size, metric	27
Pitch of filter thread	0.5 mm
Pitch of lamp thread (internal)	0.5 mm
Thread dimension of the filter thread	M27
Thread dimension of the luminaire internal thread	M30.5

Other features

Focusable	No
-----------	----

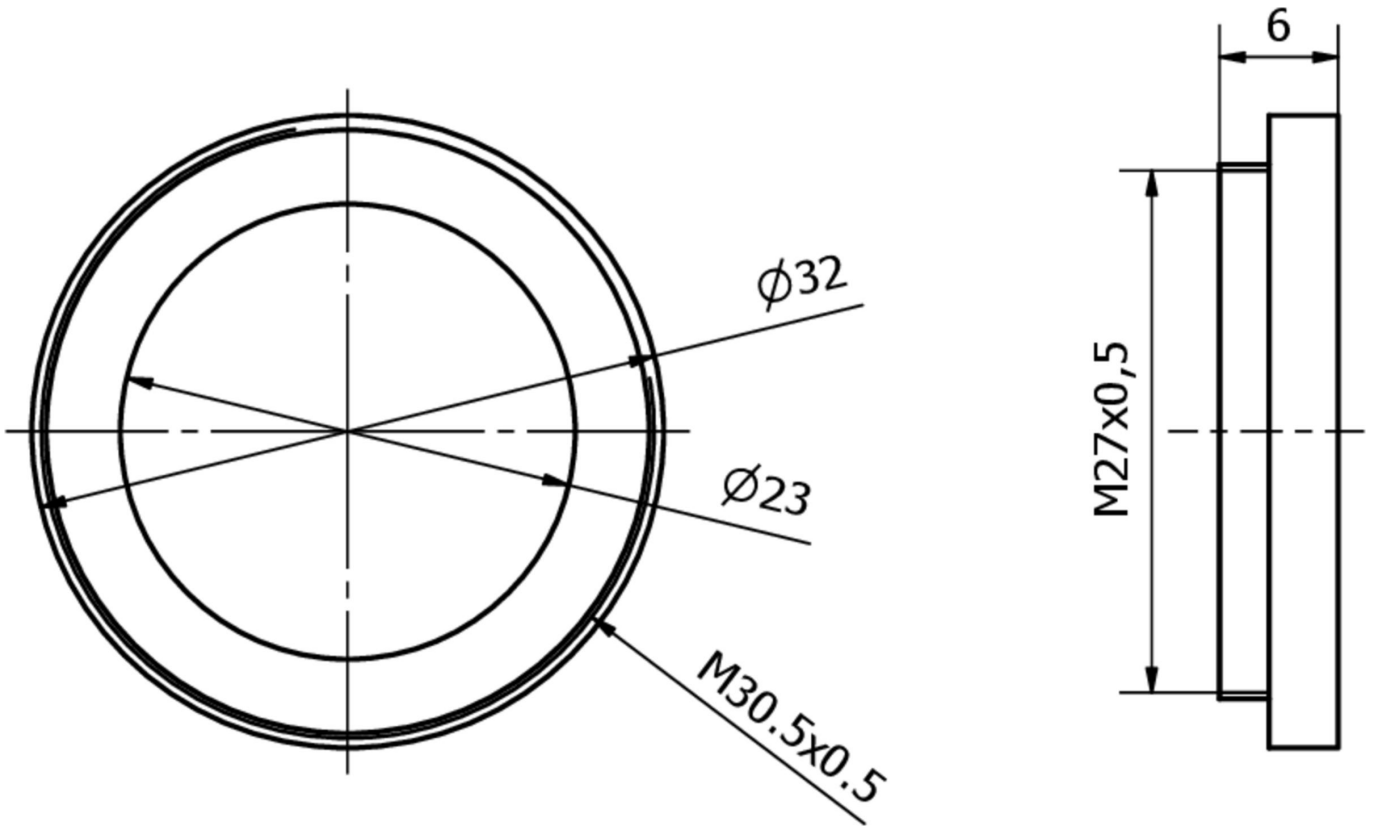
Classification

ETIM 8	EC001776 Lens for surveillance camera
--------	---------------------------------------

More

IPF Product Group	914 accessories camera sensors
packaging dimensions	120 x 70 x 6 mm
gross weight	3 g
Customs tariff number	76169990
WEEE number	40951076
Reach-compliant	Yes
RoHS-compliant	Yes

Dimensional drawing



Installation

Mounting / installation may only be carried out by a qualified electrician!



Disposal

WEEE number according to § 6 para. 3
ElektroG: 40951076

Safety warnings

/ Before initial operation, please make sure to follow all safety instructions that may be provided in the product information.

/ Never use these devices in applications where the safety of a person depends on their functionality.