

## AO000639

### Objective • Pericentric

Accessories Optical, lens pericentric, Ø40mm 103.8 mm long, F6 distance 5-62mm, C-Mount (1-32 UN 2A), aluminum+glass, detector 1/2"



Entocentric lenses have a fixed or variable (zoom lenses) angle of beam spread of the optics to the lens. They are used for applications such as presence and placement checks, pick & place applications, feature inspections, color applications, OCR and code reading. Due to the perspective error, they are not suitable for measuring tasks. Telecentric lenses are special optical lenses that are characterized by the fact that the entrance or exit pupil is at infinity. These are mainly used in surveying tasks with high repeat accuracy. In particular, when measurements are to be taken with fluctuating object positions (via the image field in the X and Y directions) without perspective distortion. Pericentric lenses were developed for the simple inspection of holes, cavities and containers. Unlike conventional optics that can only image flat fields of view, hole inspection lenses are specially designed for imaging both the bottom of a cavity and its perpendicular walls, and thanks to the large angle of view, these lenses are compatible with a wide range of lens diameters and thicknesses. Hole inspection optics are the perfect solution when it comes to inspecting a variety of different object shapes, e.g. cylinders, cones, holes, bottles or test objects with threads.

#### Mechanical features

Outer diameter	40 mm
Lens diameter	40
Length	103.8 mm
Lens connection	C-mount (1-32 UN 2A)
Ambient temperature	0 - 40 °C

#### Optical features

Aperture number	6
Lens type	pericentric
Minimum focal distance	5 mm
Aperture range	6

#### Other features

Focusable	mechanical
-----------	------------

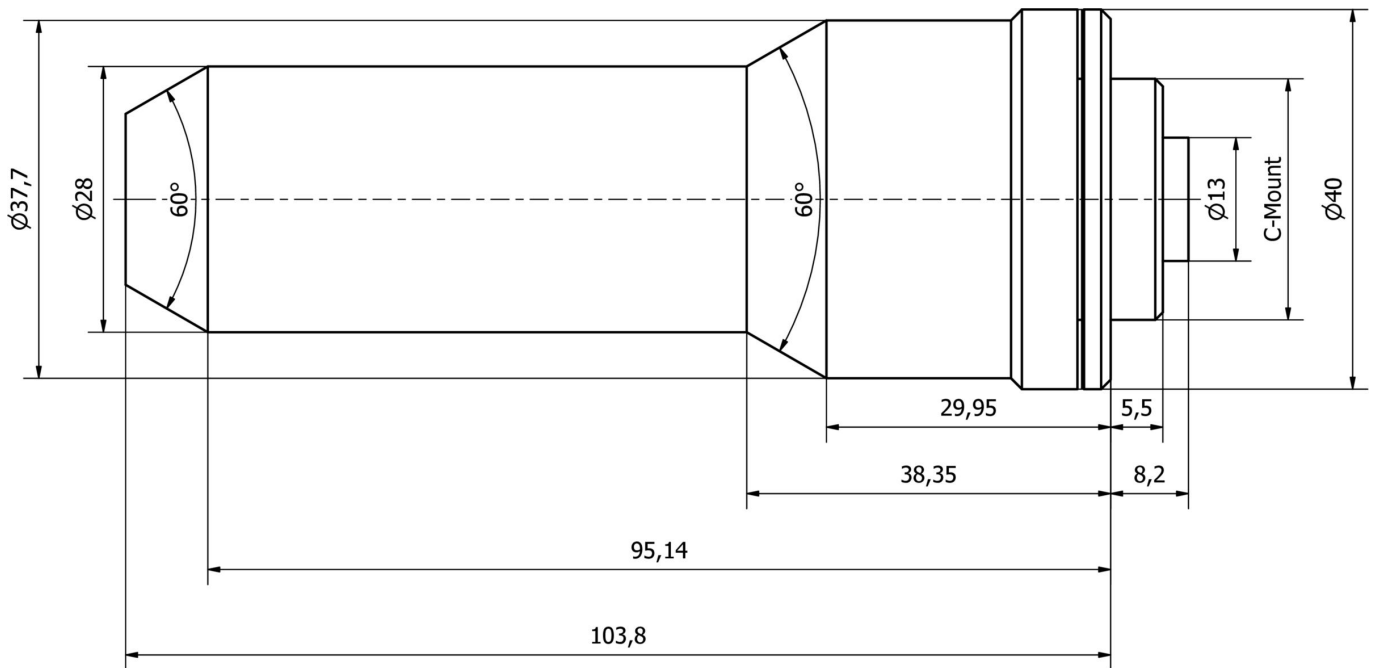
#### Classification

ETIM 8	EC001776 Lens for surveillance camera
--------	---------------------------------------

**More**

IPF Product Group	914 accessories camera sensors
packaging dimensions	
gross weight	
Customs tariff number	90021100
WEEE number	40951076
Reach-compliant	Yes
RoHS-compliant	Yes

**Dimensional drawing**



**Installation**

Mounting / installation may only be carried out by a qualified electrician!



**Disposal**

WEEE number according to § 6 para. 3 ElektroG: 40951076

**Safety warnings**

- / Before initial operation, please make sure to follow all safety instructions that may be provided in the product information.
- / Never use these devices in applications where the safety of a person depends on their functionality.