

A0000655

Accessories • Flash controller

Flash controller, 80x96.3x53.8mm, 4 channels, 12-26V diagnostic coverage, terminals , RJ45 , Modbus TCP software ,LED display



4 operational modes : continuous light, strobe light , triggered light and brightness control

The controller allows to control up to four LED channels. Via a Modbus interface and its own SDK, which is included free of charge, this controller is set. Alternatively, the easy-to-operate software based on MS Windows 10® can be downloaded for uncomplicated controller management.

The LED controller offers a current-controlled mode for continuous light, as well as voltage-controlled mode for short, precise and powerful flashes. The 4 channels can be controlled separately or linked together

Electrical features

Number of channels	4
Display	LED display
Type of electrical connection	Clamped terminal connection
Rated switching current	4000mA
Max. continuous current	6A
Max. peak current	21000mA
Protection class	III
Supported communication interface	Ethernet
Operating voltage (DC)	12 - 26V
Flash duration	10 - 59000000µs

Mechanical features

Design	Cuboid
Width	53.8mm
Height	80mm
Length	96.3mm
Mounting method	Top hat rail
Degree of protection (IP)	IP20
Ambient temperature	10 - 30°C

Other features

Relative air humidity (non-condensing)	30 - 70%
Ambient temperature	10 - 30°C
Version	Field device

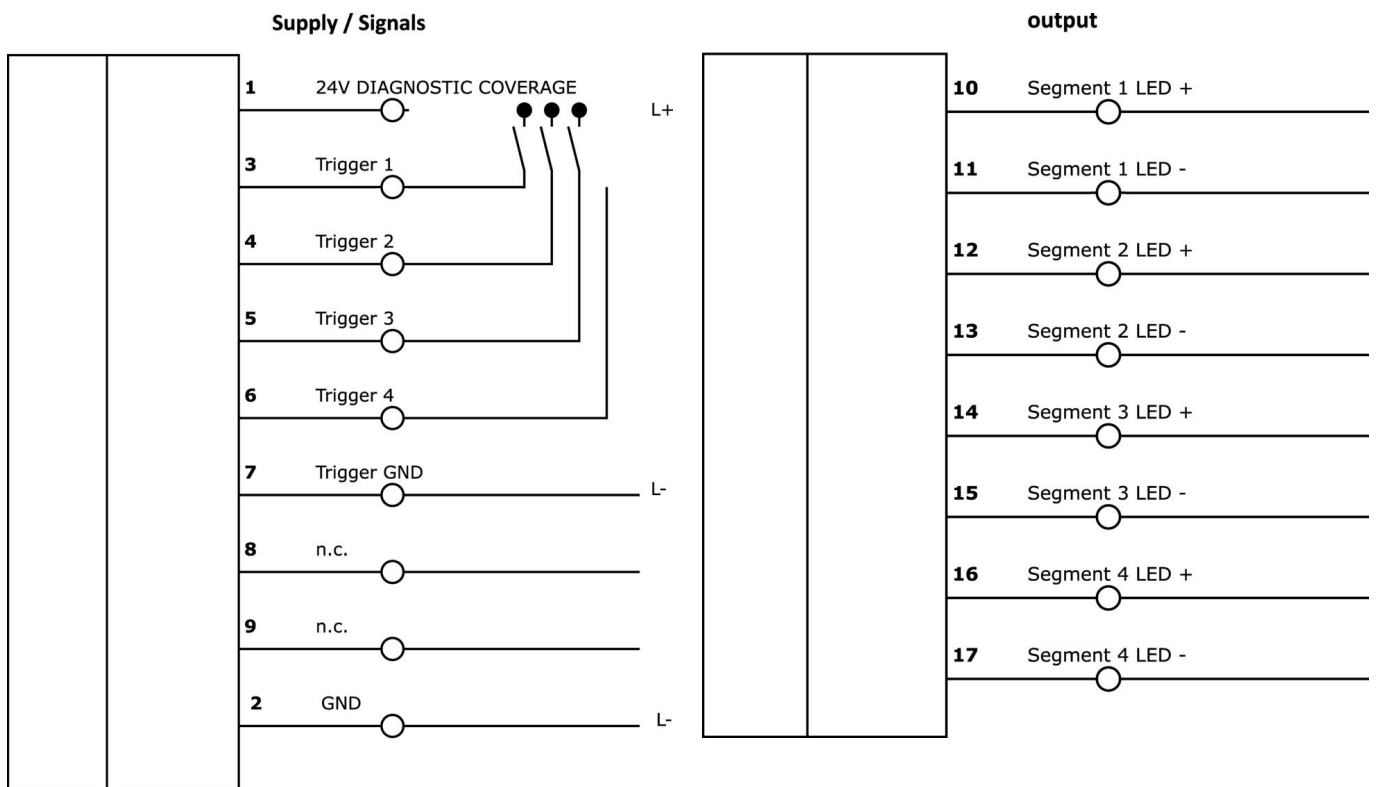
Classification

ETIM 8

More

IPF Product Group	915 camera illumination
packaging dimensions	180 x 170 x 80 mm
gross weight	360 g
Customs tariff number	85423190
WEEE number	40951076
Reach-compliant	Yes
RoHS-compliant	Yes

Connection



Installation



Mounting / installation may only be carried out by a qualified electrician!

Disposal



Safety warnings

Before initial operation, please make sure to follow all safety instructions that may be provided in the product information.

Never use these devices in applications where the safety of a person depends on their functionality.

Any software, drivers or IODD files that may be required to operate your device can be downloaded free of charge from our homepage: www.ipf-electronic.com

Dimensional drawing

