

# AO000656

## Accessories • Mounting

Accessories Optical, mounting bracket for Minispot ES16, 46x22,5x14mm

including Screw



**for mounting and fine adjustment of ES16010x spots**  
**Supports a good thermal connection**

for mounting mini spotlight ES16xxxx Ø 16mm

### Mechanical features

Width	14 mm
Height	22.5 mm
Length	46 mm
Material	Aluminum
Accessories for	Camera illumination

### Other features

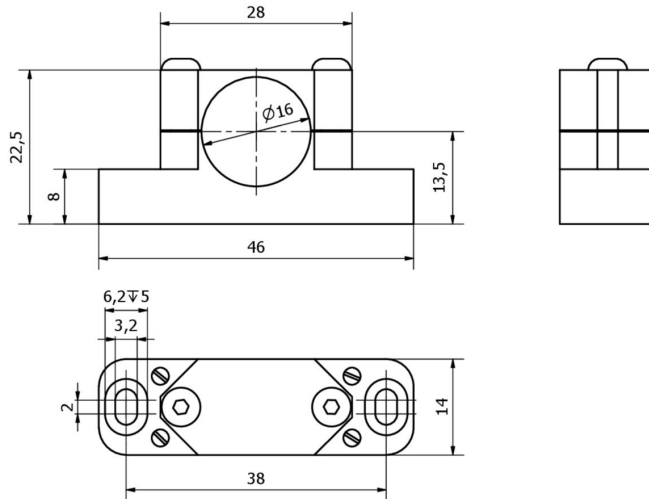
Version	Mounting bracket
---------	------------------

### Classification

ETIM 8
--------

### More

IPF Product Group	914 accessories camera sensors
packaging dimensions	165 x 100 x 13 mm
gross weight	24 g
Customs tariff number	76169990
WEEE number	40951076
Reach-compliant	Yes
RoHS-compliant	Yes

**Dimensional drawing****Installation**

Mounting / installation may only be carried out by a qualified electrician!

**Disposal**

WEEE number according to § 6 para. 3  
ElektroG: 40951076

**Safety warnings**

- / Before initial operation, please make sure to follow all safety instructions that may be provided in the product information.
- / Never use these devices in applications where the safety of a person depends on their functionality.