

A0000659

Accessories • Filter

Accessories Optical, Bandpass filter, M30,5x0,5, Filter color blue, Transmissive wavelength range 425-495nm, Aluminum+Glass



An inexpensive means of optimizing image information is the use of optical filters. The basic idea in most cases is to increase contrast in the resulting image. This can be achieved, for example, by suppressing interfering wavelength regions in the light spectrum, so that colored features can be brightened or darkened, as when using colored illumination. Disturbing extraneous light influences can be avoided or simply the wavelengths of the light used can be limited to such an extent that the camera sensor operates at its optimum.

Mechanical features

Outer diameter	32.5 mm
Thread pitch	0.5 mm
Height	5 mm
Inner diameter	25.5 mm
Material	Aluminum
Active area material of sensor	glass
Thread dimension	M30.5

Optical features

Permeable wavelength range	425 - 495 nm
----------------------------	--------------

Other features

Filter color	blue
--------------	------

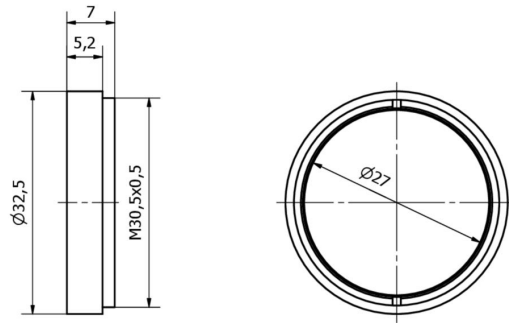
Classification

ETIM 8	EC001637 Digital Camera Accessories/Spare Parts (Photo)
--------	---

More

IPF Product Group	914 accessories camera sensors
packaging dimensions	165 x 100 x 20 mm
gross weight	21 g
Customs tariff number	90022000
WEEE number	40951076
RoHS-compliant	Yes

Dimensional drawing

**Installation**

Mounting / installation may only be carried out by a qualified electrician!

**Disposal**

WEEE number according to § 6 para. 3
ElektroG: 40951076

Safety warnings

- / Before initial operation, please make sure to follow all safety instructions that may be provided in the product information.
- / Never use these devices in applications where the safety of a person depends on their functionality.