

A0000660

Accessories • Mounting

Light up accessories, ball joint holder, 40x40x100mm, 360° rotatable, 180° swivel, white aluminum



180° rotatable and 360° rotatable

Mechanical features

Width	40 mm
Height	100 mm
Length	40 mm
Material	Aluminum

Other features

Version	Holder
---------	--------

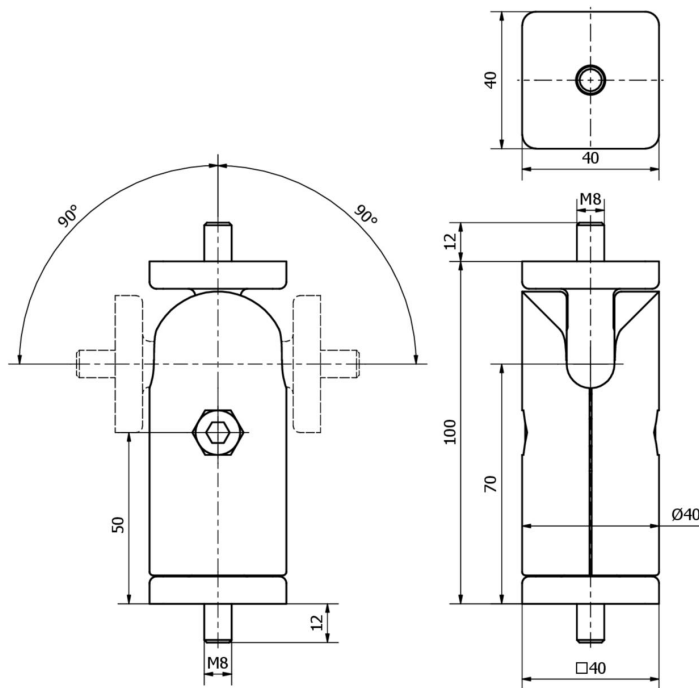
Classification

ETIM 8

More

IPF Product Group	914 accessories camera sensors
packaging dimensions	110 x 95 x 65 mm
gross weight	345 g
Customs tariff number	76169990
WEEE number	40951076
RoHS-compliant	Yes

Dimensional drawing



Installation

Mounting / installation may only be carried out by a qualified electrician!



Disposal

WEEE number according to § 6 para. 3
ElektroG: 40951076

Safety warnings

- / Before initial operation, please make sure to follow all safety instructions that may be provided in the product information.
- / Never use these devices in applications where the safety of a person depends on their functionality.