

# AO000663

## Accessories • Mounting

Optical accessories, hexagon nut, M18x1, span (of the jaw) 22mm, Ø24mm, plastic (ABS),



Optical accessories, hexagon nut, M18x1, span (of the jaw) 22mm, Ø24mm, plastic (ABS)

### Mechanical features

Outer diameter	24 mm
Thread pitch	1 mm
Length	8.2 mm
Material	Plastic ABS
Thread dimension	M18

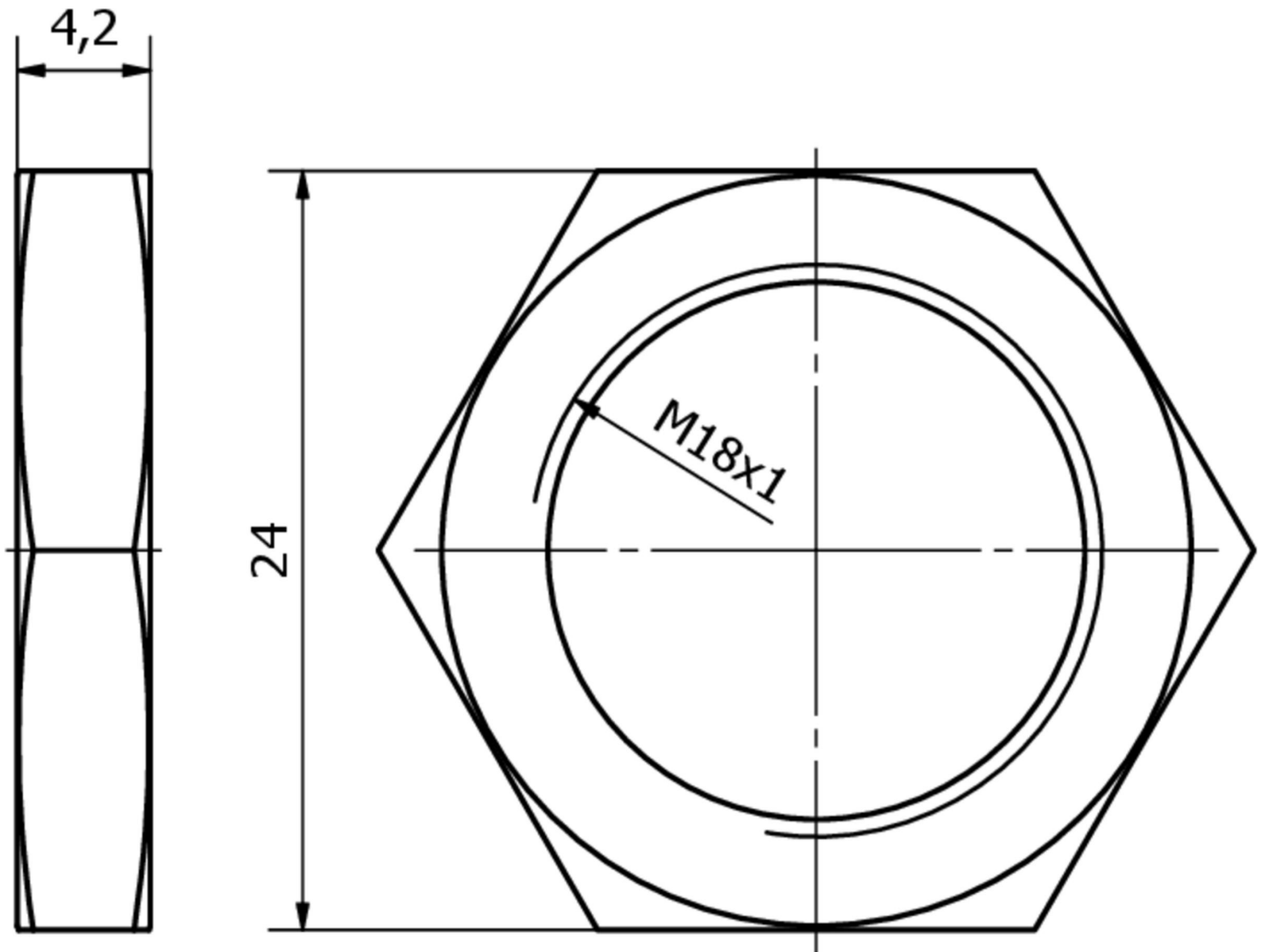
### Classification

ETIM 8
--------

### More

IPF Product Group	900 accessories
packaging dimensions	220 x 160 x 10 mm
gross weight	150 g
Customs tariff number	39269097
WEEE number	40951076
Reach-compliant	Yes
RoHS-compliant	Yes

**Dimensional drawing**



**Installation**

Mounting / installation may only be carried out by a qualified electrician!



**Disposal**

WEEE number according to § 6 para. 3  
ElektroG: 40951076

**Safety warnings**

/ Before initial operation, please make sure to follow all safety instructions that may be provided in the product information.

/ Never use these devices in applications where the safety of a person depends on their functionality.