

# AO000665

## Accessories • Attachment optics

Accessories Optical, optical attachment, plastic, right-angle mirror attachment



Accessories Optical, optical attachment, plastic, right-angle mirror attachment

### Mechanical features

Outer diameter	27 mm
Length	26 mm
Material	Plastic ABS
Active area material of sensor	Plastic (PMMA)

### Other features

Version	Deflection mirror
---------	-------------------

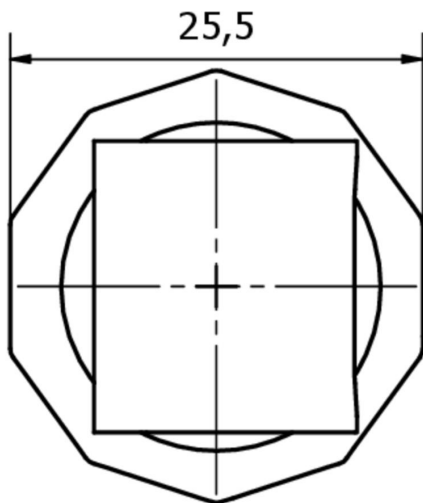
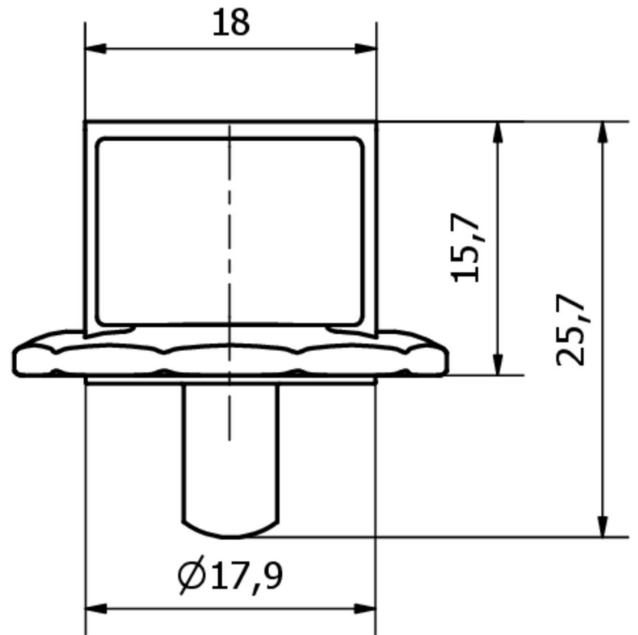
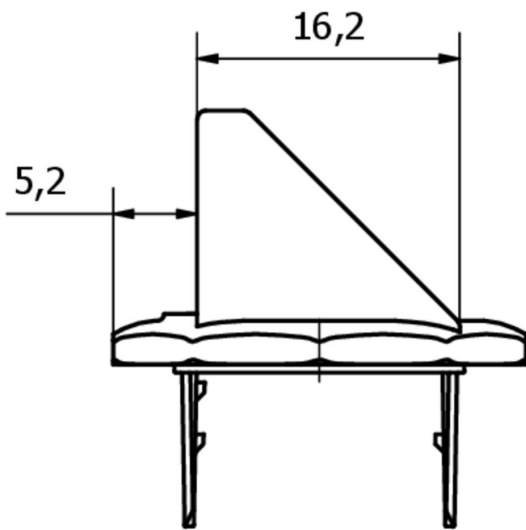
### Classification

ETIM 8
--------

### More

IPF Product Group	900 accessories
packaging dimensions	165 x 100 x 25 mm
gross weight	6 g
Customs tariff number	39269097
WEEE number	40951076
Reach-compliant	Yes
RoHS-compliant	Yes

**Dimensional drawing**



**Installation**

Mounting / installation may only be carried out by a qualified electrician!



**Disposal**

WEEE number according to § 6 para. 3  
ElektroG: 40951076

**Safety warnings**

**/** Before initial operation, please make sure to follow all safety instructions that may be provided in the product information.

**/** Never use these devices in applications where the safety of a person depends on their functionality.