

A0000667

Accessories • Mounting

Accessories Optical, holder, plastic

including Hexagon socket screw



coaxial mounting to the camera

For attaching the ER700X70 ring light to the OC53 camera with C-mount connection

Mechanical features

Width	32 mm
Height	65 mm
Length	80 mm
Material	Plastic

Other features

Version	Holder
---------	--------

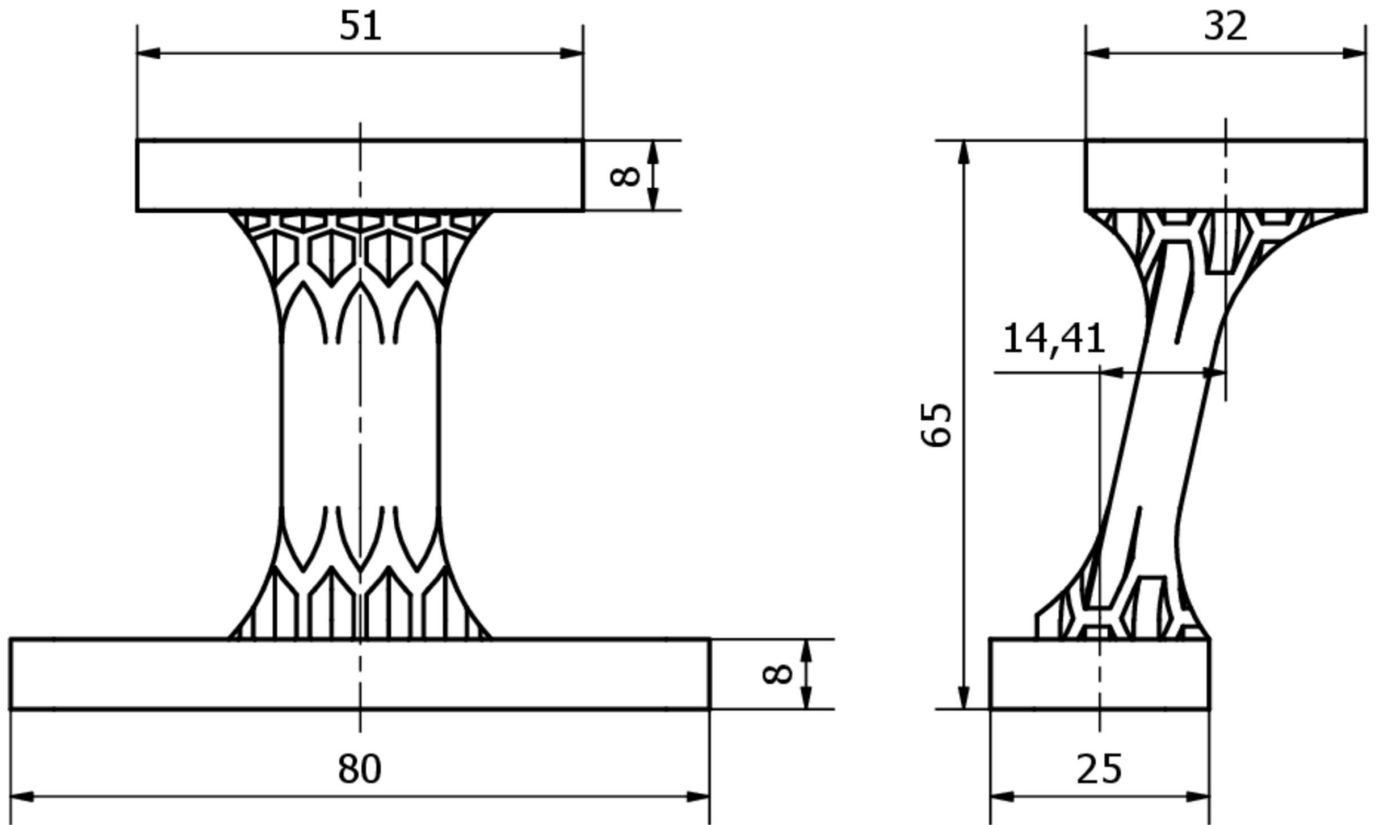
Classification

ETIM 8

More

IPF Product Group	914 accessories camera sensors
packaging dimensions	120 x 200 x 35 mm
gross weight	40 g
Customs tariff number	39269097
WEEE number	40951076
Reach-compliant	Yes
RoHS-compliant	Yes

Dimensional drawing



Installation

Mounting / installation may only be carried out by a qualified electrician!



Disposal

WEEE number according to § 6 para. 3
ElektroG: 40951076

Safety warnings

- / Before initial operation, please make sure to follow all safety instructions that may be provided in the product information.
- / Never use these devices in applications where the safety of a person depends on their functionality.