

AO98E236

Accessories • Attachment optics

Accessories Optical, attachment optics, metal, glass, M12x1



Accessories Optical, attachment optics, metal, glass, M12x1

Mechanical features

Thread pitch	1 mm
Material of optical surface	Zinc sulphide
Housing material	Stainless steel 1.4404
Seal material at process connection	Plastic (PTFE)
Thread dimension	M12

Other features

Version	Optics attachment
---------	-------------------

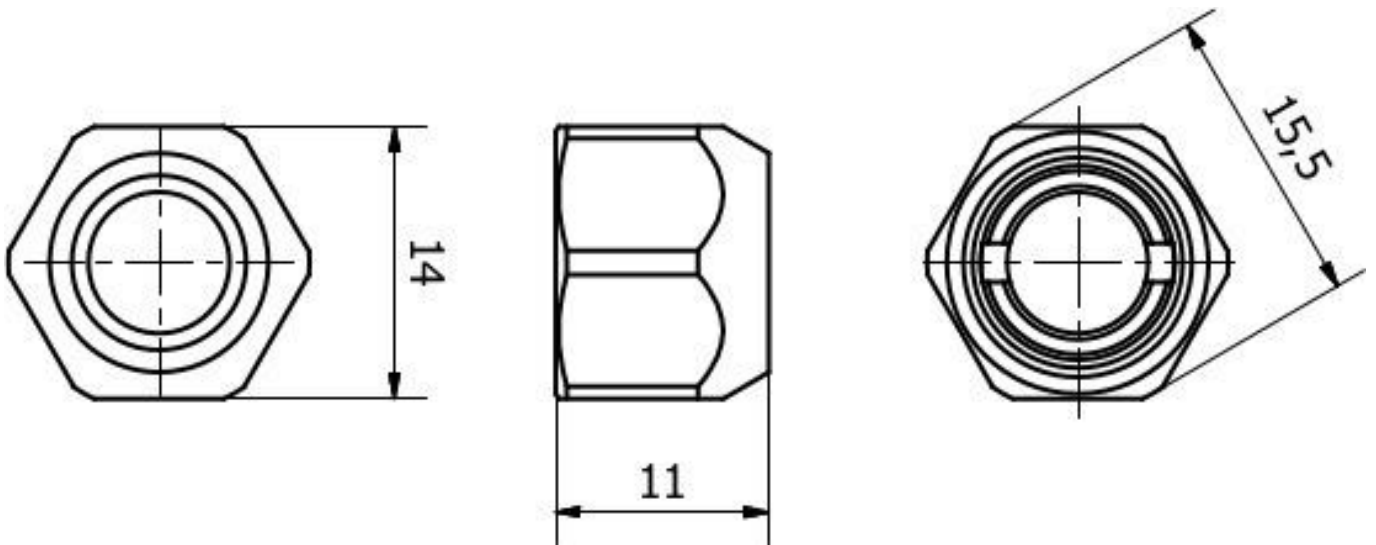
Classification

ETIM 8	EC002024 Accessories/spare parts for command devices
--------	--

More

IPF Product Group	900 accessories
packaging dimensions	120 x 100 x 11 mm
gross weight	8 g
Customs tariff number	90029000
WEEE number	40951076
Reach-compliant	Yes
RoHS-compliant	Yes

Dimensional drawing



Installation

Mounting / installation may only be carried out by a qualified electrician!



Disposal

WEEE number according to § 6 para. 3
ElektroG: 40951076

Safety warnings

/ Before initial operation, please make sure to follow all safety instructions that may be provided in the product information.

/ Never use these devices in applications where the safety of a person depends on their functionality.