

AP000015

Accessories • Optical sensors - Precision angle

accessories laser, Mounting angle bracket, 28x40x36mm, Precision bracket, Aluminum



Mechanical features

Width	36 mm
Diameter of screw-on mounting	4.5
Height	28 mm
Length	40 mm
Mounting method	Screw mounting
Material	Aluminum

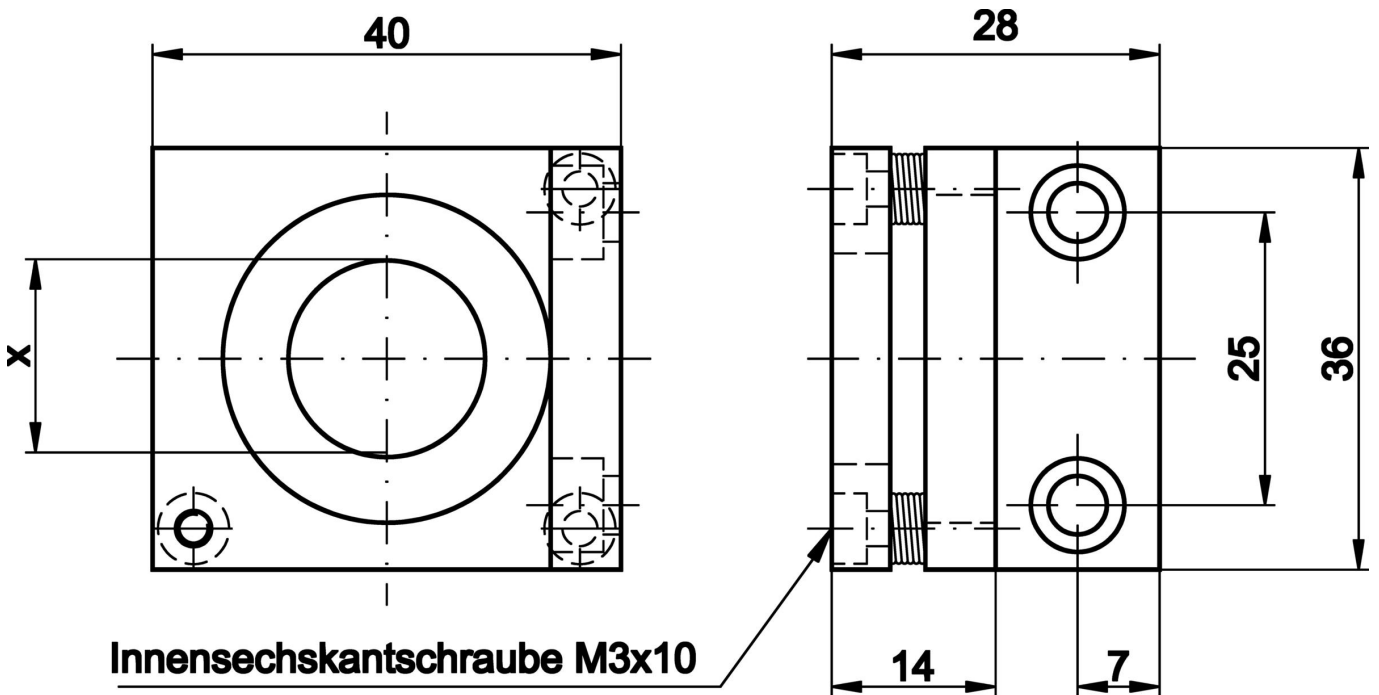
Classification

ETIM 8	EC002625 Mounting accessories (control cabinet)
--------	---

More

IPF Product Group	900 accessories
packaging dimensions	120 x 100 x 28 mm
gross weight	40 g
Customs tariff number	76169990
WEEE number	40951076
POP-compliant	Yes
Reach-compliant	Yes
RoHS-compliant	Yes

Dimensional drawing



Installation

Mounting / installation may only be carried out by a qualified electrician!



Disposal

WEEE number according to § 6 para. 3
ElektroG: 40951076

Safety warnings

/ Before initial operation, please make sure to follow all safety instructions that may be provided in the product information.

/ Never use these devices in applications where the safety of a person depends on their functionality.