

AP000016

Accessories • Optical sensors - Assembly

accessories laser, Flange, 14x40x36mm, Mounting material and precision flange, Aluminum

including Screw



Mechanical features

Width	36 mm
Diameter of screw-on mounting	4.5
Height	14 mm
Length	40 mm
Mounting method	Screw mounting
Material	Aluminum

Other features

Version	Flange
---------	--------

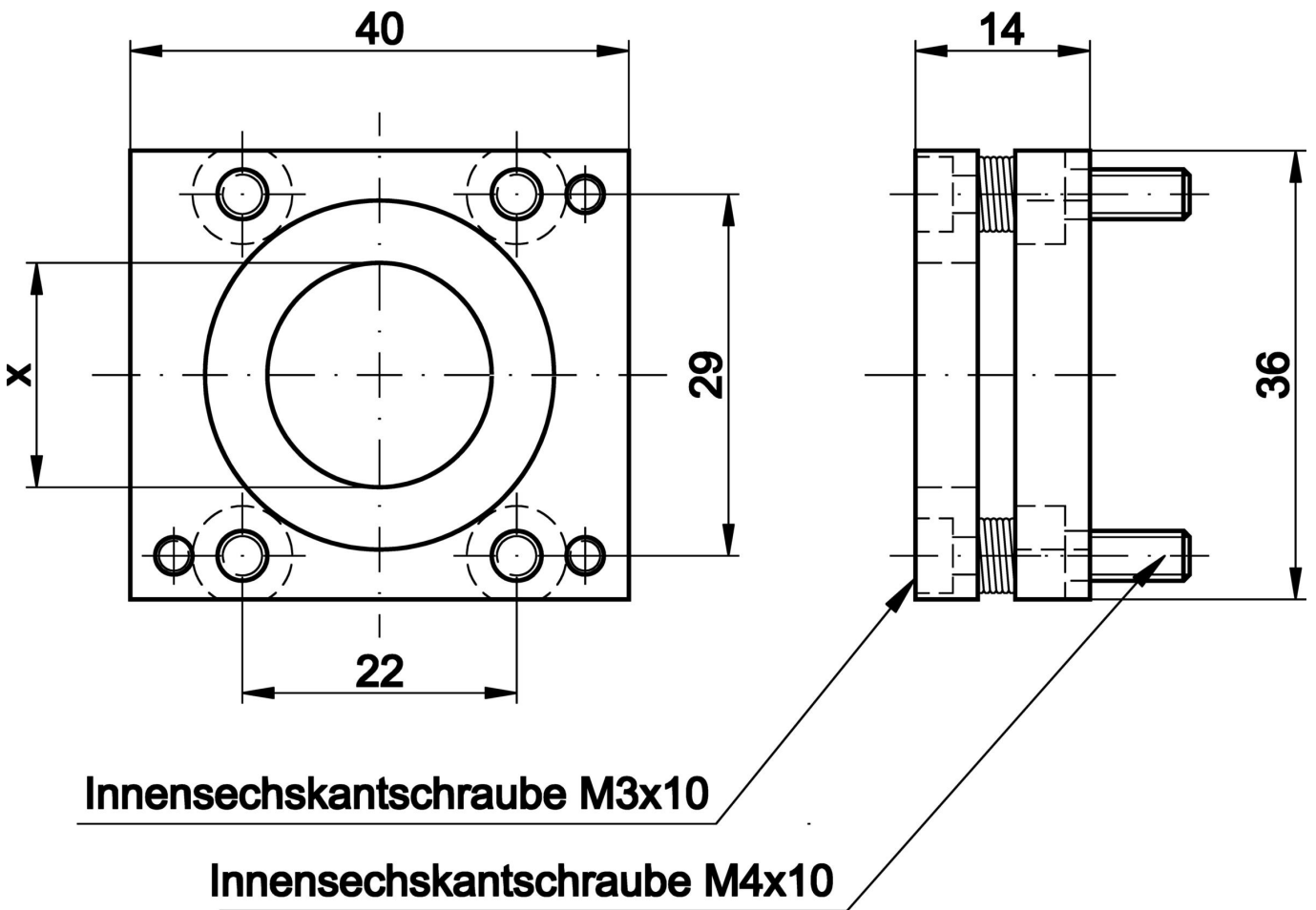
Classification

ETIM 8	EC002625 Mounting accessories (control cabinet)
--------	---

More

IPF Product Group	900 accessories
packaging dimensions	100 x 70 x 35 mm
gross weight	40 g
Customs tariff number	76169990
WEEE number	40951076
Reach-compliant	Yes
RoHS-compliant	Yes

Dimensional drawing



Installation

Mounting / installation may only be carried out by a qualified electrician!



Disposal

WEEE number according to § 6 para. 3
ElektroG: 40951076

Safety warnings

- /** Before initial operation, please make sure to follow all safety instructions that may be provided in the product information.
- /** Never use these devices in applications where the safety of a person depends on their functionality.