

AP000023

Accessories • Mounting

accessories laser, Mounting angle bracket, 85x92x30mm, Angle, Steel



Mechanical features

Width	30 mm
Diameter of screw-on mounting	5.5
Height	85 mm
Length	92 mm
Mounting method	Screw mounting
Surface	Galvanized
Material	Steel

Other features

Version	Angular
---------	---------

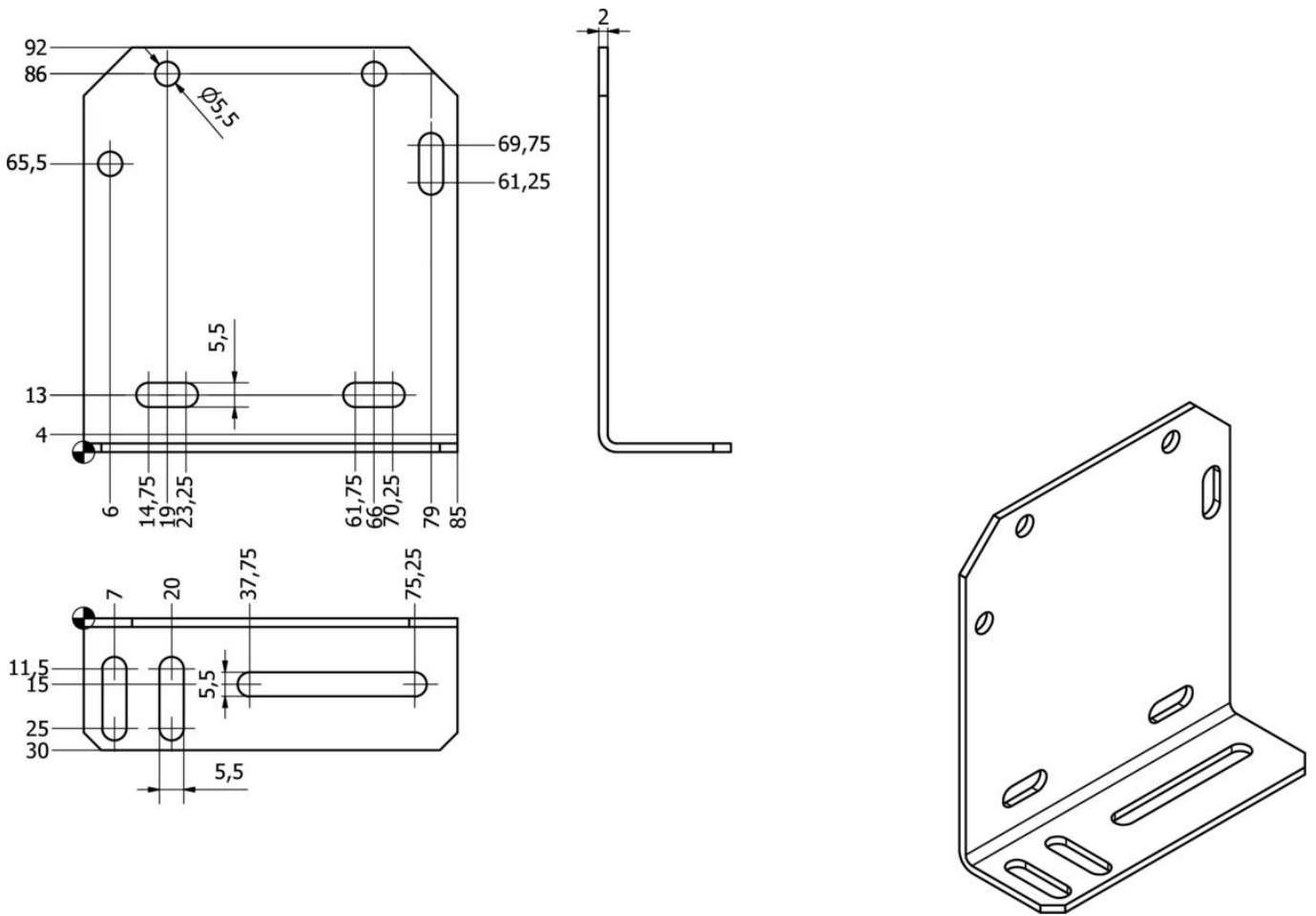
Classification

ETIM 8	EC002625 Mounting accessories (control cabinet)
--------	-------------------------------------------------

More

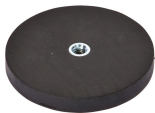
IPF Product Group	900 accessories
packaging dimensions	240 x 150 x 30 mm
gross weight	150 g
Customs tariff number	73269098
WEEE number	40951076
POP-compliant	Yes
Reach-compliant	Yes
RoHS-compliant	Yes

Dimensional drawing



Extract accessories program

AY000129



Accessories, magnetic, Ø66mm, neodymium-iron-boron, inside thread M6, rubber

AY000144



accessories sensor, Adapter plate, 3x30x85mm, Stainless steel 1.4305

You can find further accessories on our homepage



Installation

Mounting / installation may only be carried out by a qualified electrician!



Disposal

WEEE number according to § 6 para. 3 ElektroG: 40951076

Safety warnings

/ Before initial operation, please make sure to follow all safety instructions that may be provided in the product information.

/ Never use these devices in applications where the safety of a person depends on their functionality.