

AP000042

Accessories • Optical sensors - Assembly

Accessories Laser, mounting bracket, M3x0.5 23long, bracket, V2A, 90°



Mechanical features

Width	30 mm
Diameter of screw-on mounting	5.5
Thread pitch	0.5 mm
Height	61 mm
Length	23 mm
Material thickness	3.5 mm
Mounting method	Screw mounting
Material	Stainless steel 1.4301
Angle	90 °
Thread dimension	M3

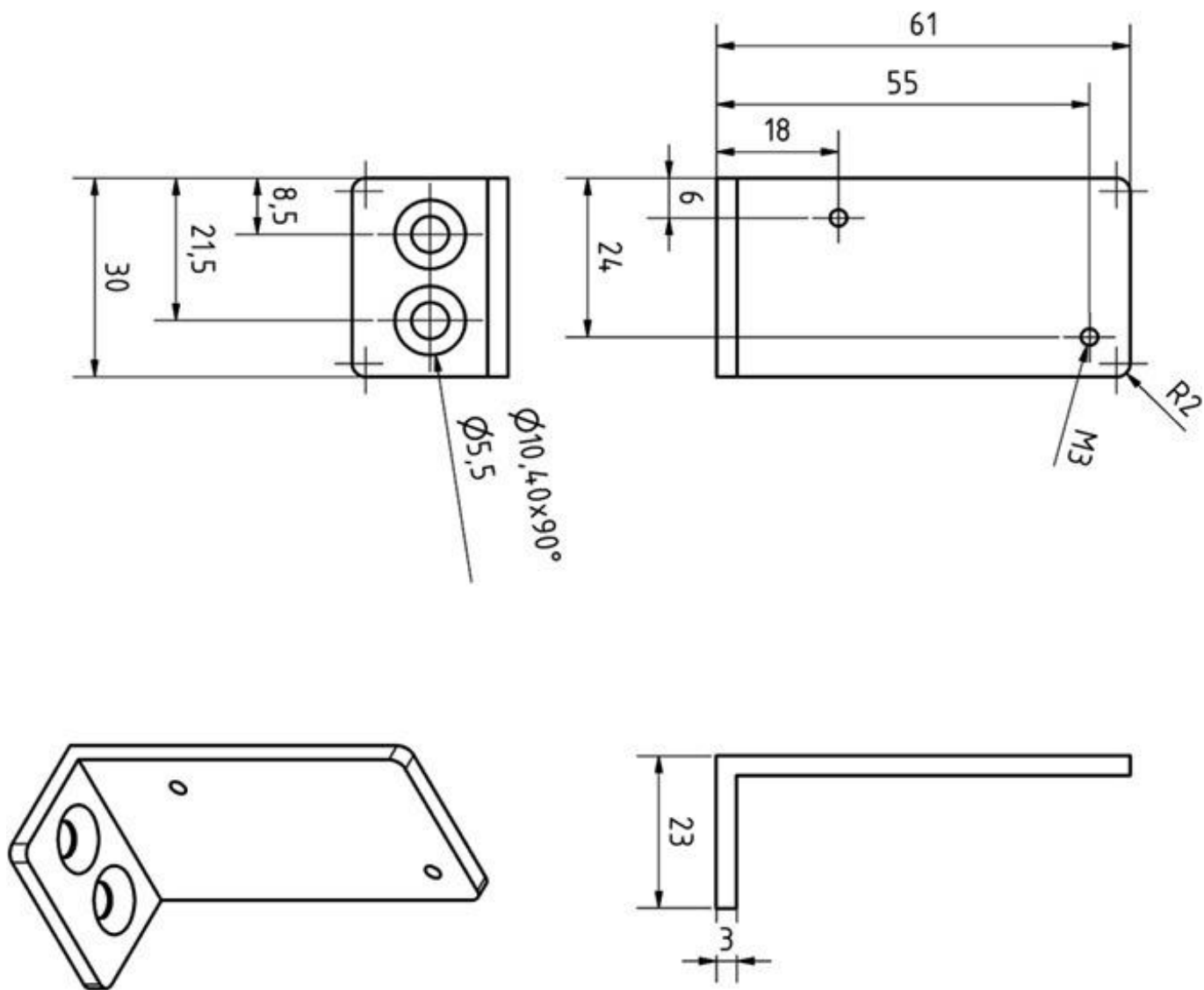
Classification

ETIM 8	EC002625 Mounting accessories (control cabinet)
--------	---

More

IPF Product Group	900 accessories
packaging dimensions	120 x 100 x 25 mm
gross weight	54 g
Customs tariff number	73269098
WEEE number	40951076
Reach-compliant	Yes
RoHS-compliant	Yes

Dimensional drawing



Extract accessories program

AY000129



Accessories, magnetic, $\phi 66$ mm, neodymium-iron-boron, inside thread M6, rubber

AY000143



accessories sensor, Holder, 56x55x26mm, Aluminum Anodised, ball joint

You can find further accessories on our homepage



Installation

Mounting / installation may only be carried out by a qualified electrician!



Disposal

WEEE number according to § 6 para. 3 ElektroG: 40951076

Safety warnings

- / Before initial operation, please make sure to follow all safety instructions that may be provided in the product information.
- / Never use these devices in applications where the safety of a person depends on their functionality.