

AP000045

Accessories • Mounting

accessories laser, Mounting plate, 27x97x78mm, Metal



Mechanical features

Width	78 mm
Height	27 mm
Length	97 mm
Material	Metal

Other features

Version	Mounting plate
---------	----------------

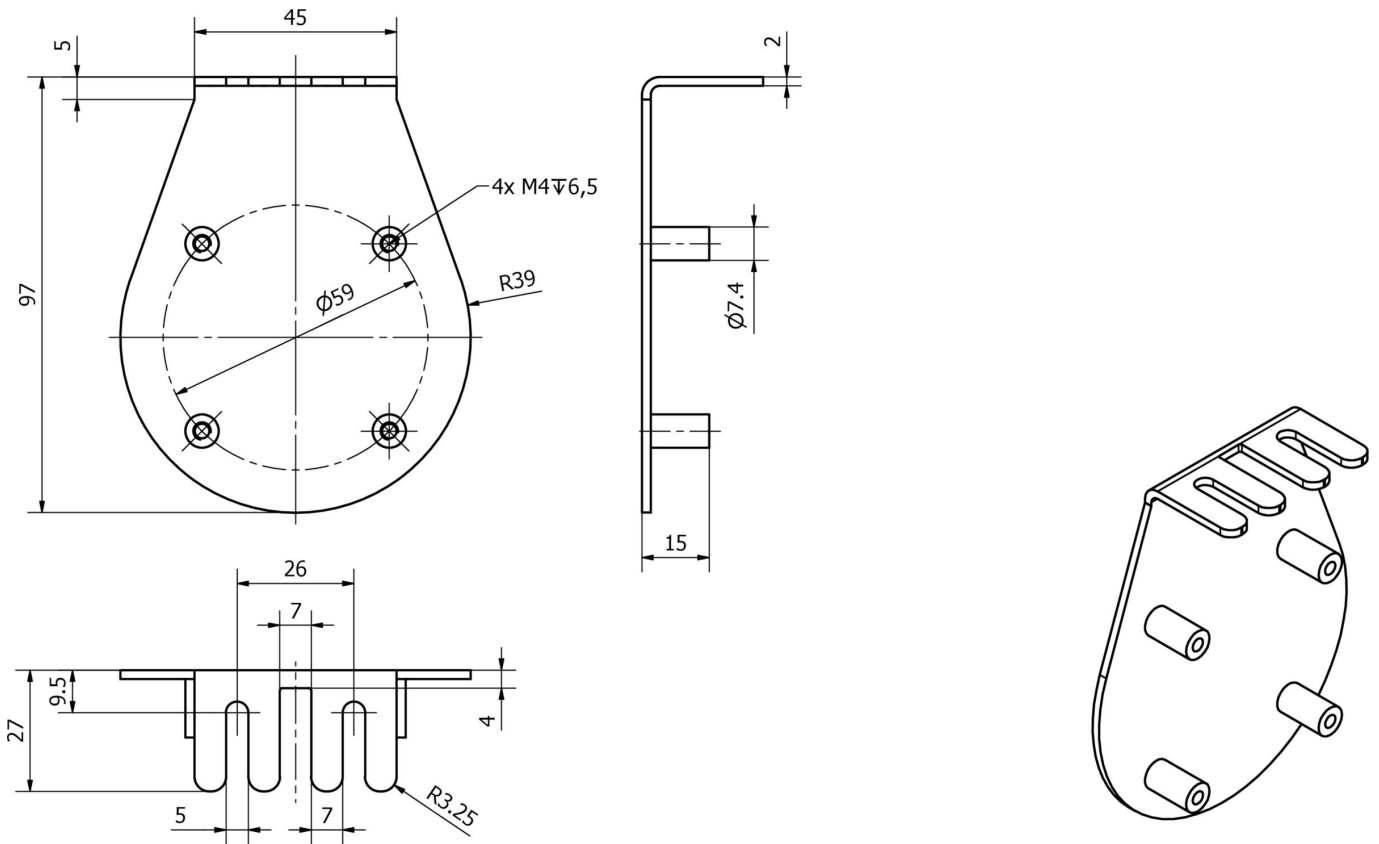
Classification

ETIM 8	EC001580 Accessories/spare parts for motion detectors
--------	---

More

IPF Product Group	900 accessories
packaging dimensions	150 x 100 x 30 mm
gross weight	132 g
Customs tariff number	73269098
WEEE number	40951076
Reach-compliant	Yes
RoHS-compliant	Yes

Dimensional drawing



Installation

Mounting / installation may only be carried out by a qualified electrician!



Disposal

WEEE number according to § 6 para. 3
ElektroG: 40951076

Safety warnings

- / Before initial operation, please make sure to follow all safety instructions that may be provided in the product information.
- / Never use these devices in applications where the safety of a person depends on their functionality.