

AS000015

Accessories • Contact protection

Screw plug, M32x1,5, Aluminum, up to 16bar



Sealing cap for measuring section

Mechanical features

Design	Round
Pressure resistance	16 bar
Thread pitch	1.5 mm
Material	Aluminum
Thread dimension	M32

Other features

Version	Screw plug
---------	------------

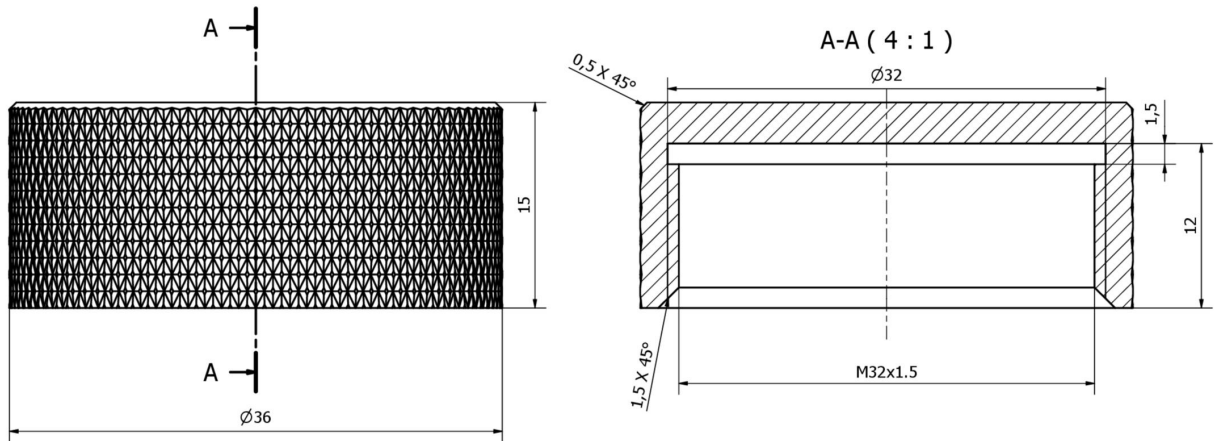
Classification

ETIM 8	EC000032 Screw plug
--------	---------------------

More

IPF Product Group	725 compressed air and leakage measurement
packaging dimensions	120 x 70 x 150 mm
gross weight	18 g
Customs tariff number	76161000
WEEE number	40951076
Reach-compliant	Yes
RoHS-compliant	Yes

Dimensional drawing



Installation

Mounting / installation may only be carried out by a qualified electrician!



Disposal

WEEE number according to § 6 para. 3
ElektroG: 40951076

Safety warnings

- / Before initial operation, please make sure to follow all safety instructions that may be provided in the product information.
- / Never use these devices in applications where the safety of a person depends on their functionality.