

# AS000022

## Accessories • Mounting

Accessories Mounting frame, 67x26mm, plastic, including front cover

including Mounting clip



Mounting frame for SL55070x

### Mechanical features

Width	67 mm
Height	5 mm
Length	26 mm
Material	Plastic

### Other features

Version	Mounting frame
---------	----------------

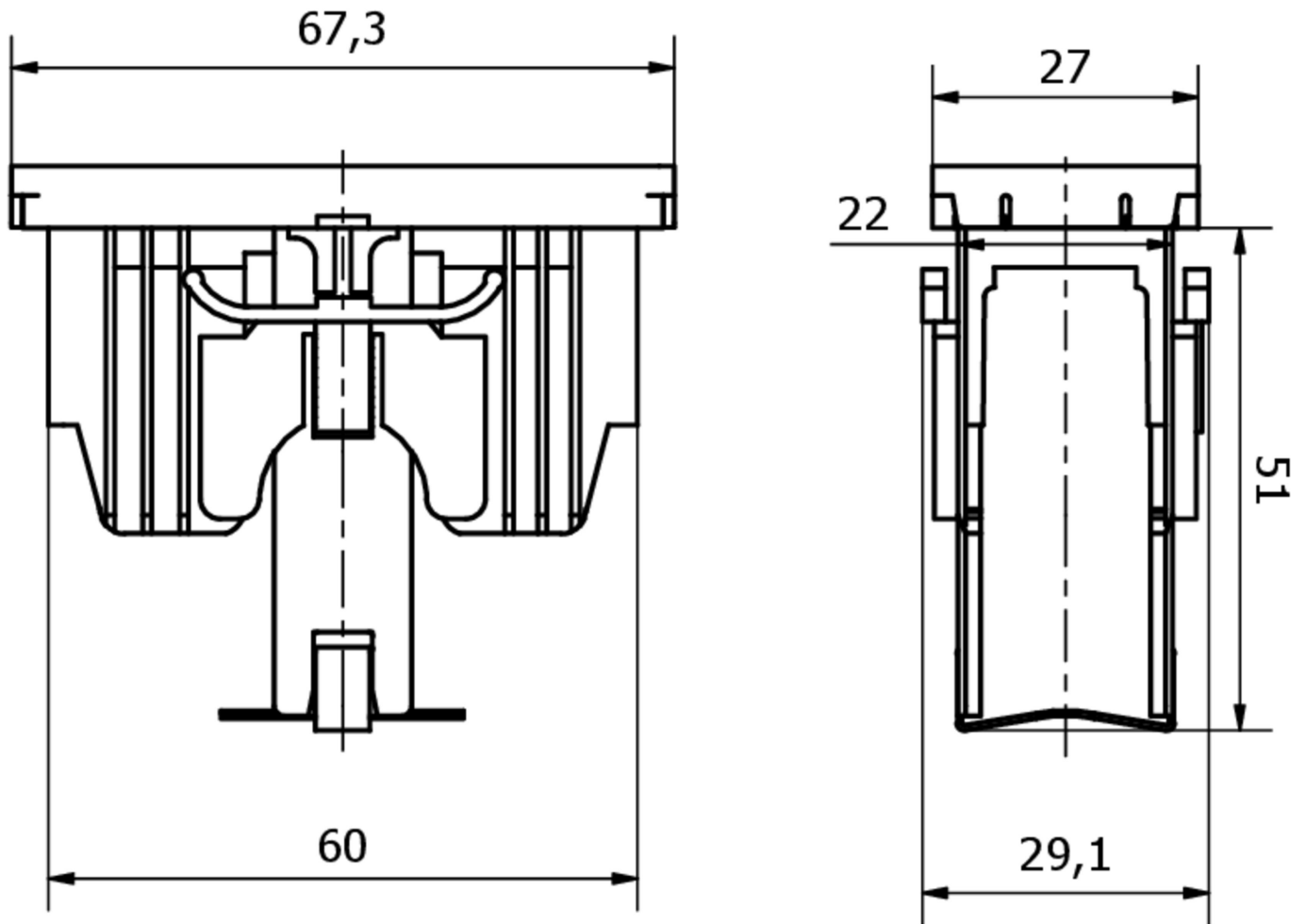
### Classification

ETIM 8
--------

### More

IPF Product Group	900 accessories
packaging dimensions	
gross weight	
Customs tariff number	39269097
WEEE number	40951076
Reach-compliant	Yes
RoHS-compliant	Yes

**Dimensional drawing**



**Installation**

Mounting / installation may only be carried out by a qualified electrician!



**Disposal**

WEEE number according to § 6 para. 3  
ElektroG: 40951076

**Safety warnings**

/ Before initial operation, please make sure to follow all safety instructions that may be provided in the product information.

/ Never use these devices in applications where the safety of a person depends on their functionality.