

# AT000008

## Accessories • Screw-in sleeves

Accessories, screw-in sleeve, compression fitting, 1/2" 450long, DIN/ISO 228 (G), V4A, With stainless steel wedge ring



### Mechanical features

Pressure resistance	100 bar
Diameter	5 mm
Installation depth	450 mm
Length	450 mm
Medium temperature	-40 - 350 °C
Mounting method	Clamp screw connection
Material	Stainless steel 1.4571
Thread dimension	1/2 inch

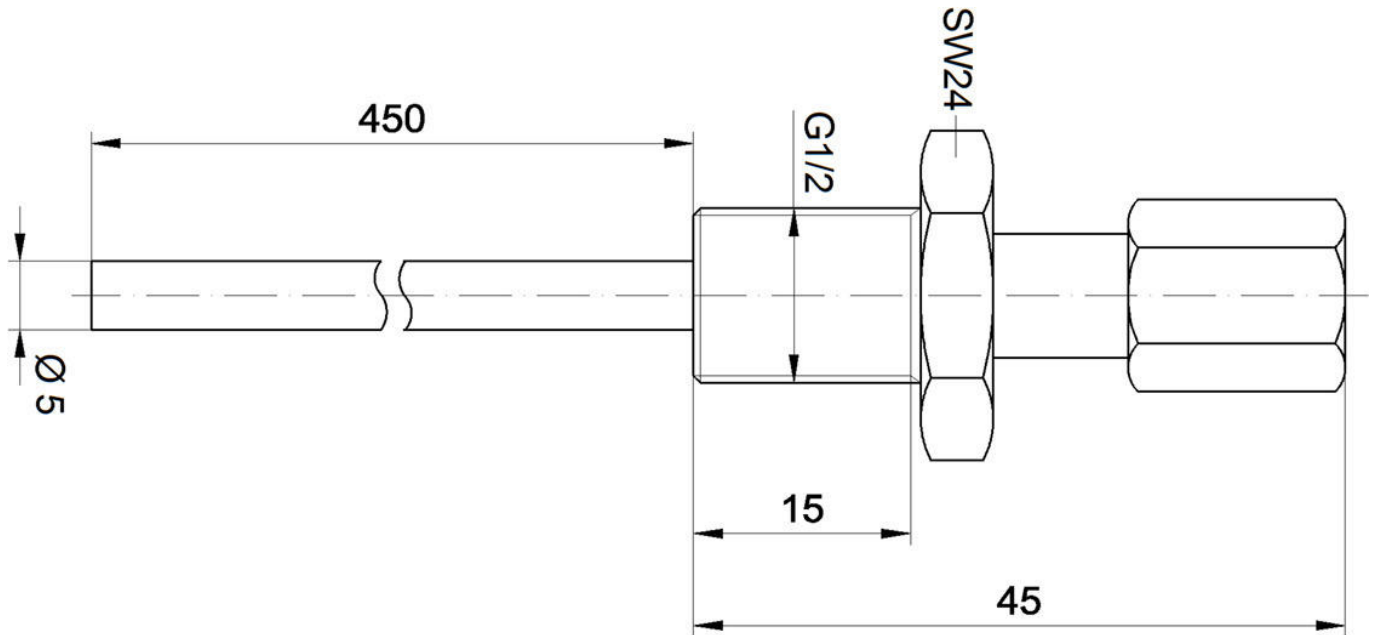
### Classification

ETIM 8	EC002351 Threaded pipe
--------	------------------------

### More

IPF Product Group	900 accessories
packaging dimensions	480 x 80 x 63 mm
gross weight	140 g
Customs tariff number	73269098
WEEE number	40951076
Reach-compliant	Yes
RoHS-compliant	Yes

**Dimensional drawing**



**Installation**

Mounting / installation may only be carried out by a qualified electrician!



**Disposal**

WEEE number according to § 6 para. 3  
ElektroG: 40951076

**Safety warnings**

- / Before initial operation, please make sure to follow all safety instructions that may be provided in the product information.
- / Never use these devices in applications where the safety of a person depends on their functionality.