

# AT000009

## Accessories • Dew point

Accessories, measuring chamber for dew point sensor, pressure range 2...16 bar, plug nipple NW 7.2



Measuring chamber for dew point sensor YT900001/2

### Electrical features

Measuring range pressure	2 - 16 bar
--------------------------	------------

### Mechanical features

Version of the process connection A	G1/4 inch female
Version of the process connection B	G1/2 inch female

### Other features

Features	Pre-assembled adaptation to plug nipple NW 7.2 (Parker series 26)
----------	---

### Classification

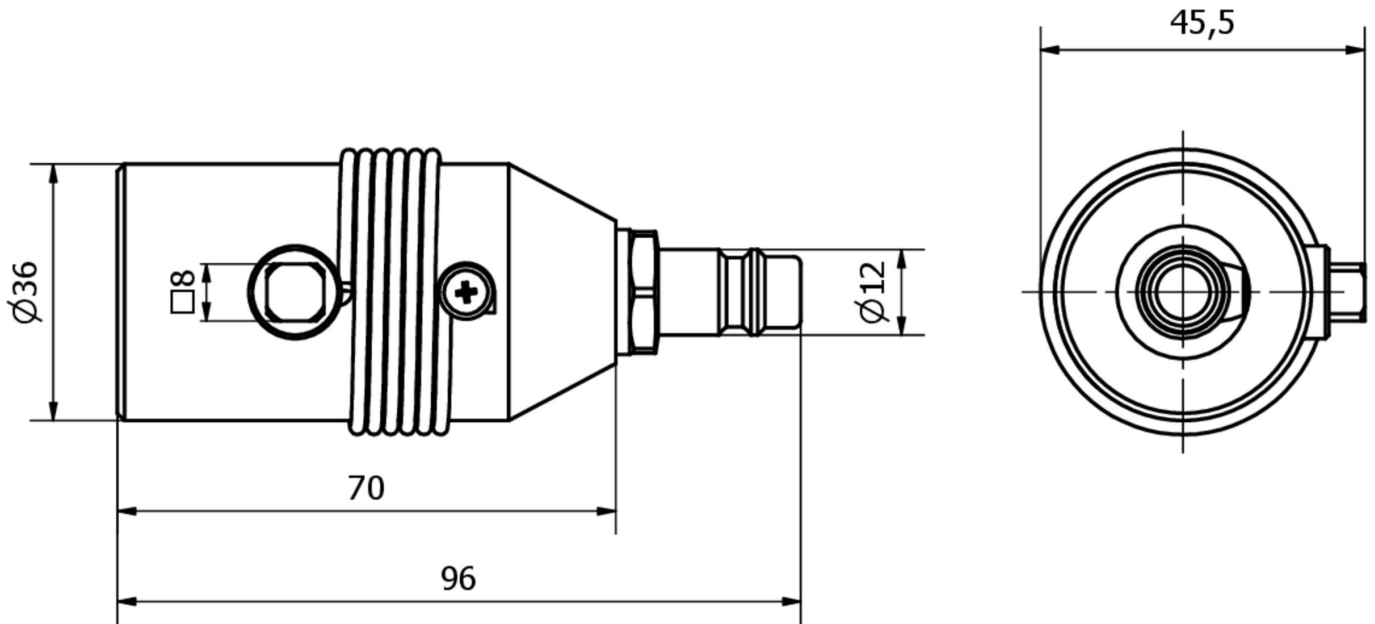
ETIM 8	
eClass-7.0	27159290
eClass-7.1	27159290
eClass-8.0	27159290
eClass-9.0	27159290
eClass-9.1	27159290

### More

IPF Product Group	725 compressed air and leakage measurement
packaging dimensions	230 x 160 x 38 mm
gross weight	132 g
Customs tariff number	90259000
WEEE number	40951076
Reach-compliant	Yes
RoHS-compliant	Yes

**Important notes**

- / Releases 2-3 liters per minute of process air into the environment
- / The copper capillary expands the compressed air and prevents moisture from the ambient air from flowing back into the measuring chamber

**Dimensional drawing****Installation**

Mounting / installation may only be carried out by a qualified electrician!

**Disposal**

WEEE number according to § 6 para. 3  
ElektroG: 40951076

**Safety warnings**

- / Before initial operation, please make sure to follow all safety instructions that may be provided in the product information.
- / Never use these devices in applications where the safety of a person depends on their functionality.