

AU000003

Accessories • Deflection bracket

accessories ultrasonic, Deflection bracket, 50x105mm, Deflection bracket, Steel, 90°



Mechanical features

Width	50 mm
Diameter of screw-on mounting	5.5
Height	105 mm
Mounting method	Screw mounting
Material	Steel
Angle	90 °

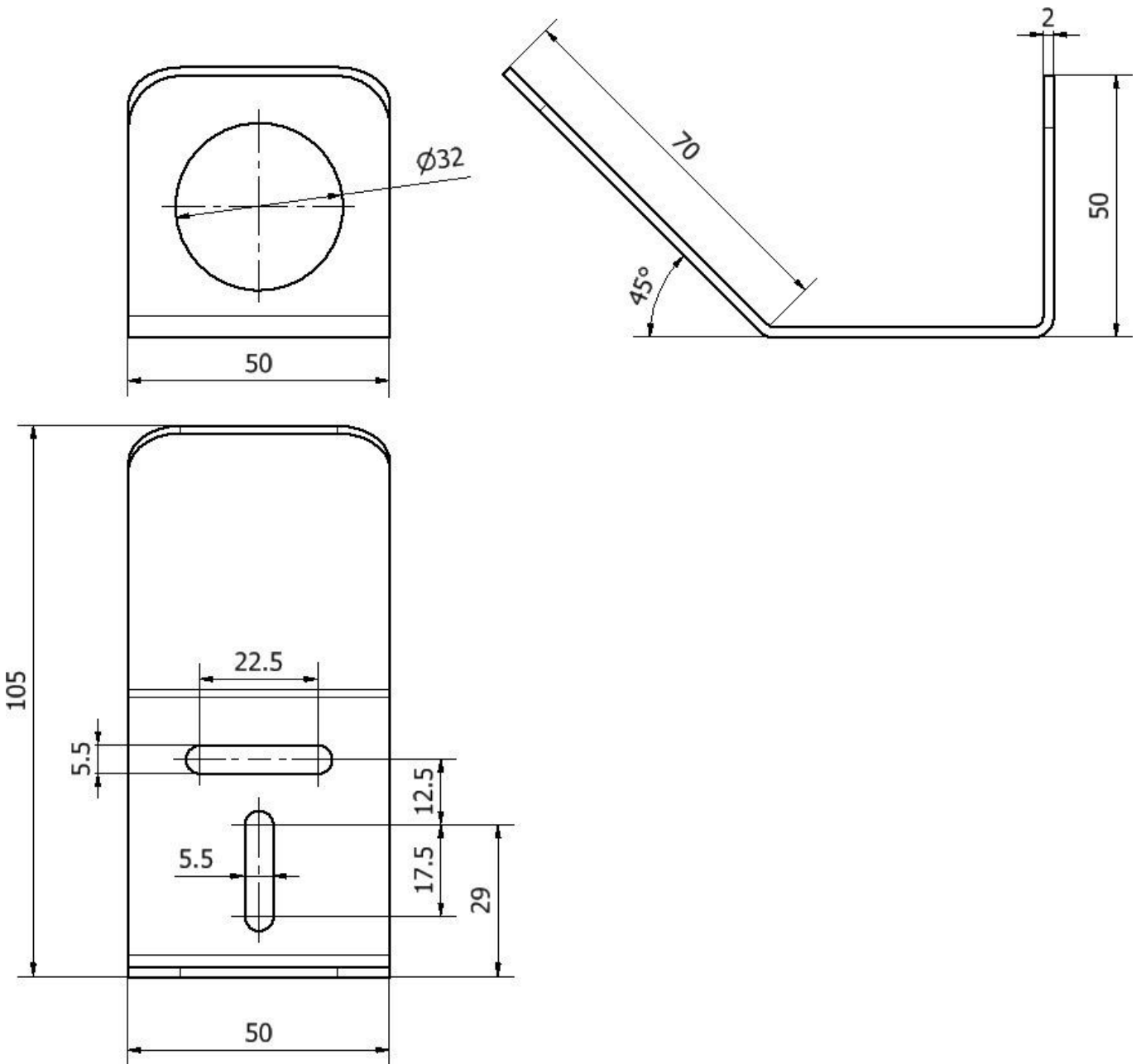
Classification

ETIM 8	EC002625 Mounting accessories (control cabinet)
--------	---

More

IPF Product Group	900 accessories
packaging dimensions	160 x 120 x 50 mm
gross weight	120 g
Customs tariff number	73269098
WEEE number	40951076
OzDS-compliant	Yes
POP-compliant	Yes
Reach-compliant	Yes
RoHS-compliant	Yes

Dimensional drawing



Installation

Mounting / installation may only be carried out by a qualified electrician!



Disposal

WEEE number according to § 6 para. 3
ElektroG: 40951076

Safety warnings

- / Before initial operation, please make sure to follow all safety instructions that may be provided in the product information.
- / Never use these devices in applications where the safety of a person depends on their functionality.