

AU000018

Accessories • Ultrasonic - sound reducer

accessories ultrasonic, Ultrasonic cone, M18x1, Plastic



Mechanical features

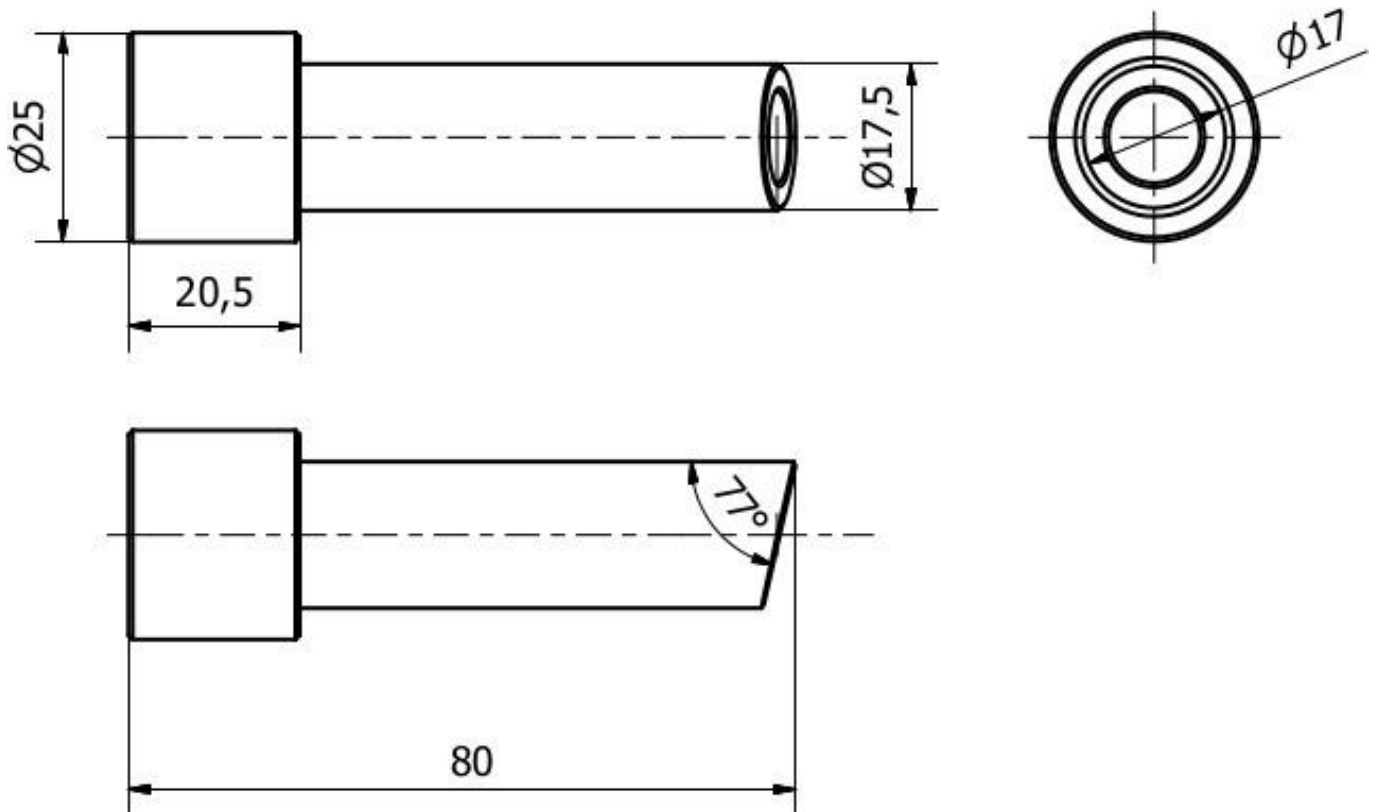
Diameter	11 mm
Thread pitch	1 mm
Housing material	Plastic
Thread dimension	M18

Classification

ETIM 8	EC002024 Accessories/spare parts for command devices
--------	--

More

IPF Product Group	900 accessories
packaging dimensions	150 x 100 x 25 mm
gross weight	24 g
Customs tariff number	39269097
WEEE number	40951076
OzDS-compliant	Yes
POP-compliant	Yes
Reach-compliant	Yes
RoHS-compliant	Yes

Dimensional drawing**Installation**

Mounting / installation may only be carried out by a qualified electrician!

**Disposal**

WEEE number according to § 6 para. 3
ElektroG: 40951076

Safety warnings

- / Before initial operation, please make sure to follow all safety instructions that may be provided in the product information.
- / Never use these devices in applications where the safety of a person depends on their functionality.